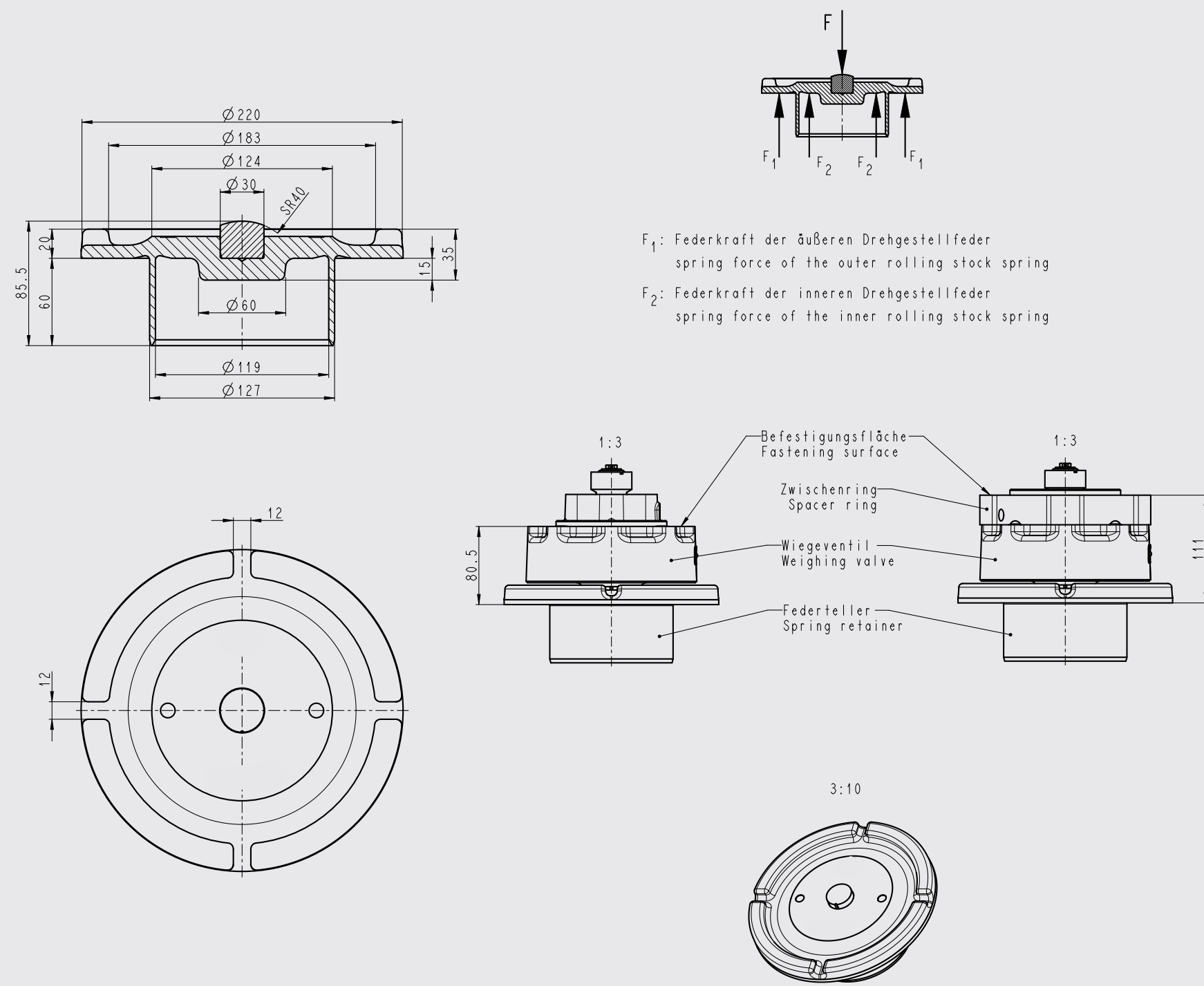


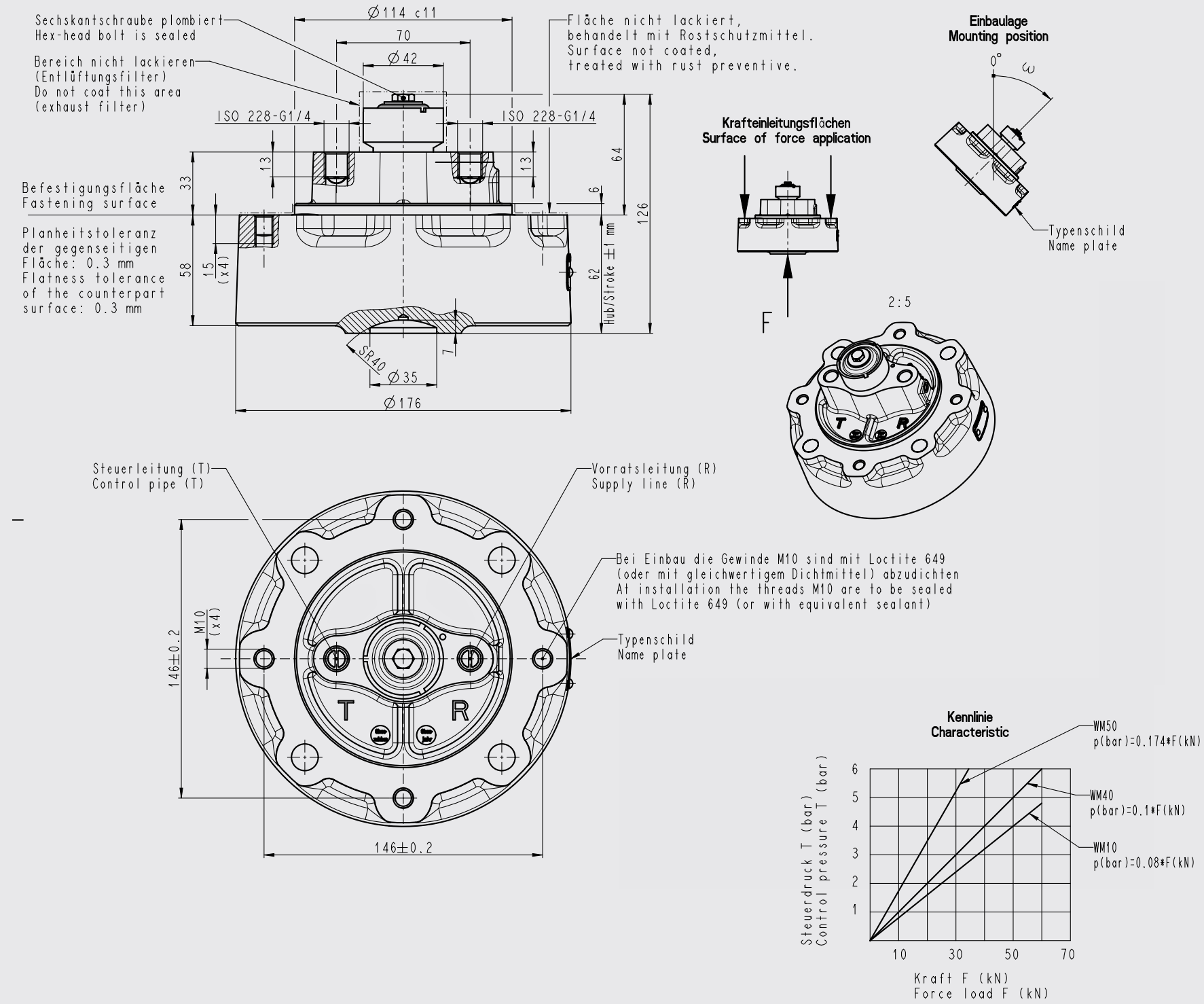
Weighing valve

Components and assembly

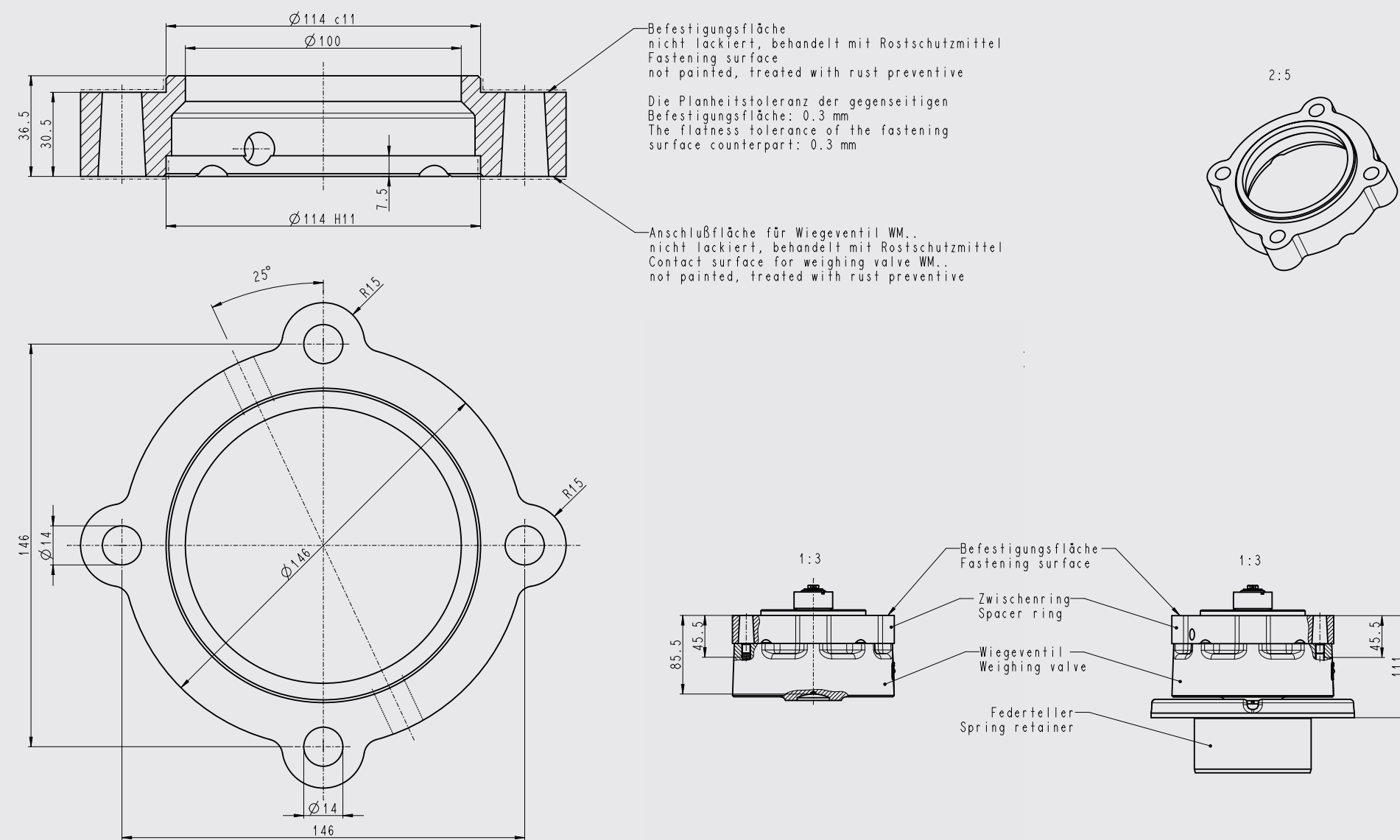
Spring retainer.



Weighing valve.

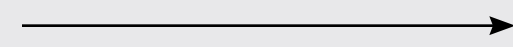


Spacer ring.

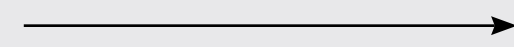


Assembly.

Spring retainer



Weighing valve



Spacer ring

