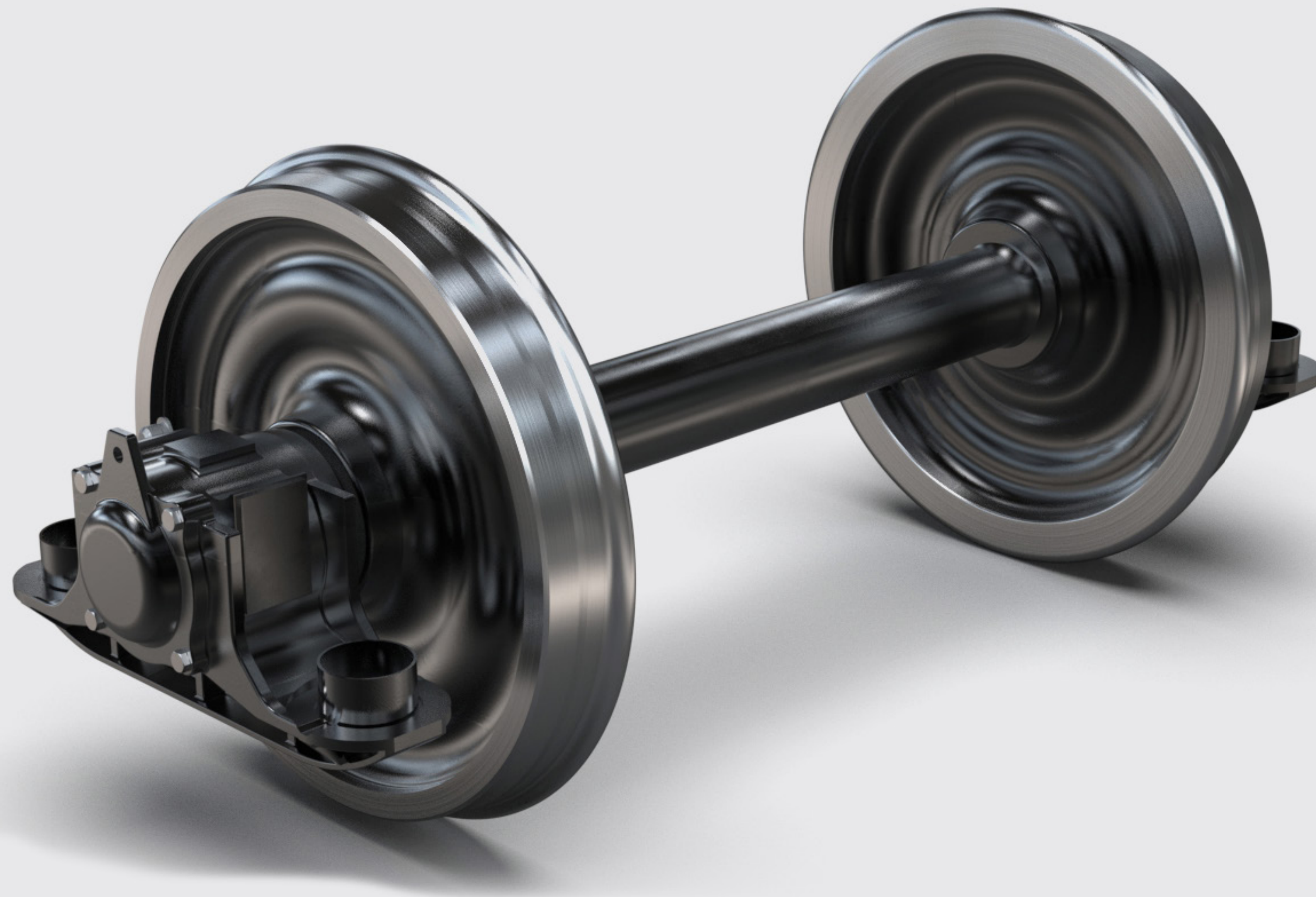


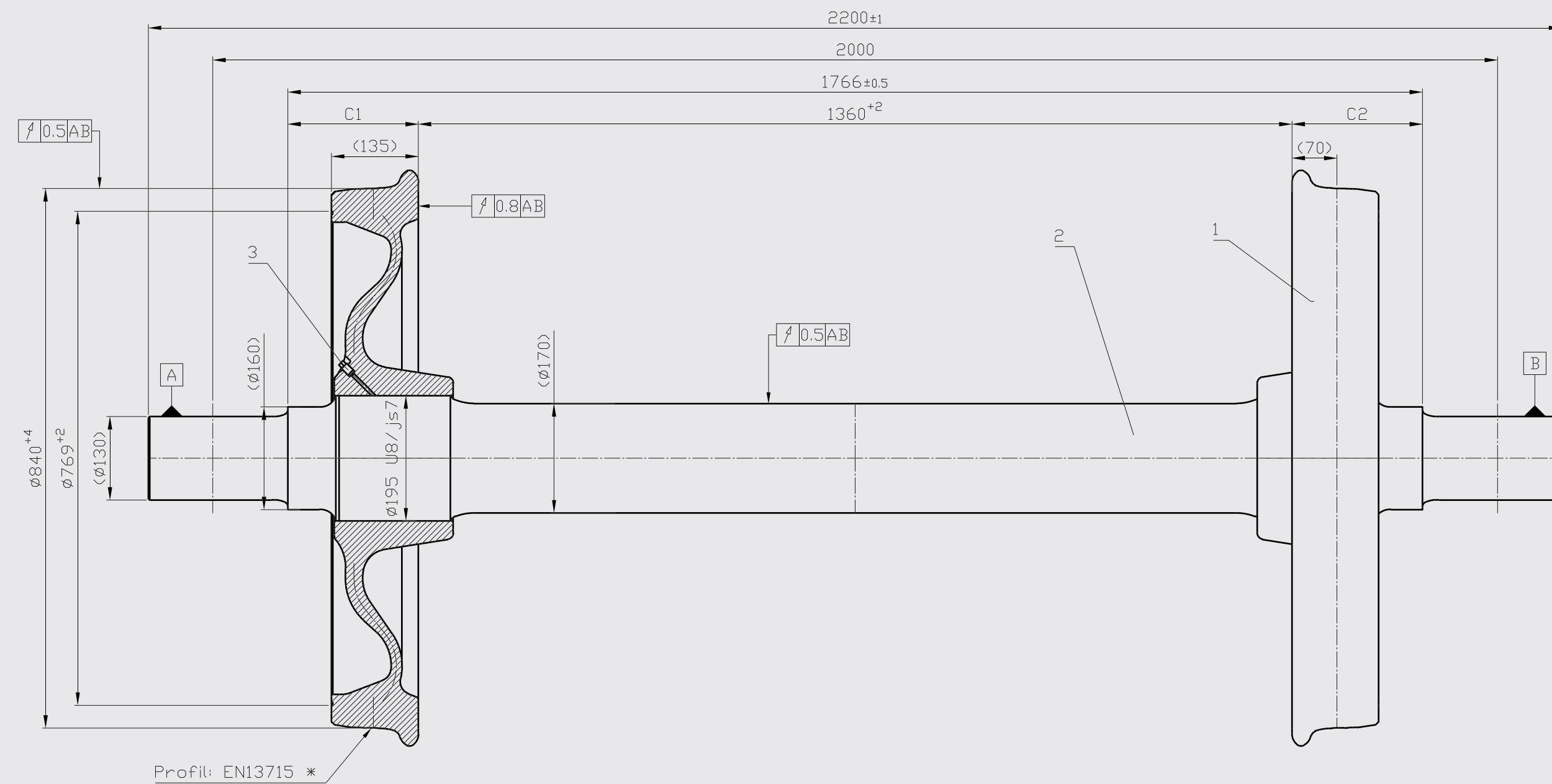
# Wheelset type 9073

## Scope of supply

## Wheelset type 9073 with axleboxes.



# Technical drawing.



1. Interference fit:
  - wheel  $\phi 195$  U8 (-0.236/-0.308)
  - axle  $\phi 195$  js7 (+0.023/-0.023)
2. Difference between wheel diameters  $\leq 0.5$  mm
3. run-out tolerance - wheel tread max. 0,5 mm  
- wheel flange max. 0,8 mm
4. technical conditions for production and acceptance according EN 13260 category 2a
5. difference C1 - C2  $\leq 1$  mm
6. electrical resistance  $< 0,01 \Omega$
7. The static imbalance of the two wheels of each wheelset shall be in the same diametrical plane and on the same side of the axle.  
Max. allowed static imbalance (E2)  $\leq 75$  gm
8. Final pressing force:
  - 663 to 1131 kN
  - used lubricant - "Molicote n-plus"
9. Wheelset load - 20t.
10. Marking acc. VPI04 (Drw. KCK 130.00.05 pg.2 poz 11-14)
11. \* Profil: according Drw KP-0086-15 rev3

H14; h14; IT14/2

FILE	SCALE	MASS	
ORDER	1:5	951	
REV.	NAME	DATE	Signature
DRAWN	Gerov	12.01.2017	
CHECKED	Dachev	12.01.2017	
APPROVED			
LIST			Wheelset $\phi 840$ mm Type 9073
"KOLOWAG" AD SEPTEMVRI			130.84.42.00.00



# Components.

Wheelset type 9073 (payload 20t)

Axlebox

Bearings

