

Ventilated brake disc

Manufacturing process

Product reference.

www.ghibellina.it/en/

Commercial catalogue 2024



Article

VENTILATED BRAKE DISC

Code

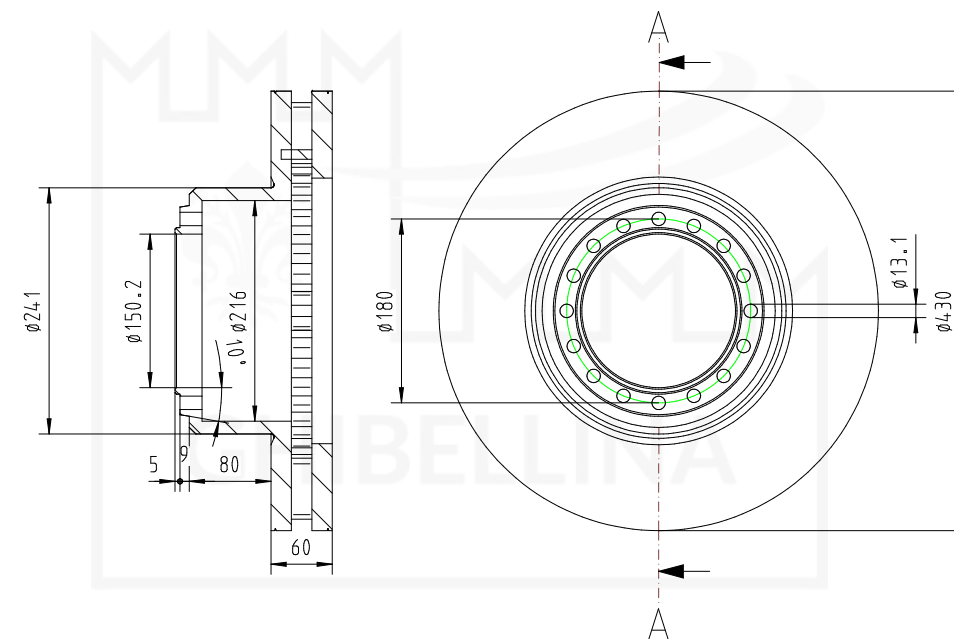
A6.0.1.1

Group

Brake rigging

Material
See drawing

Weight
37 kg



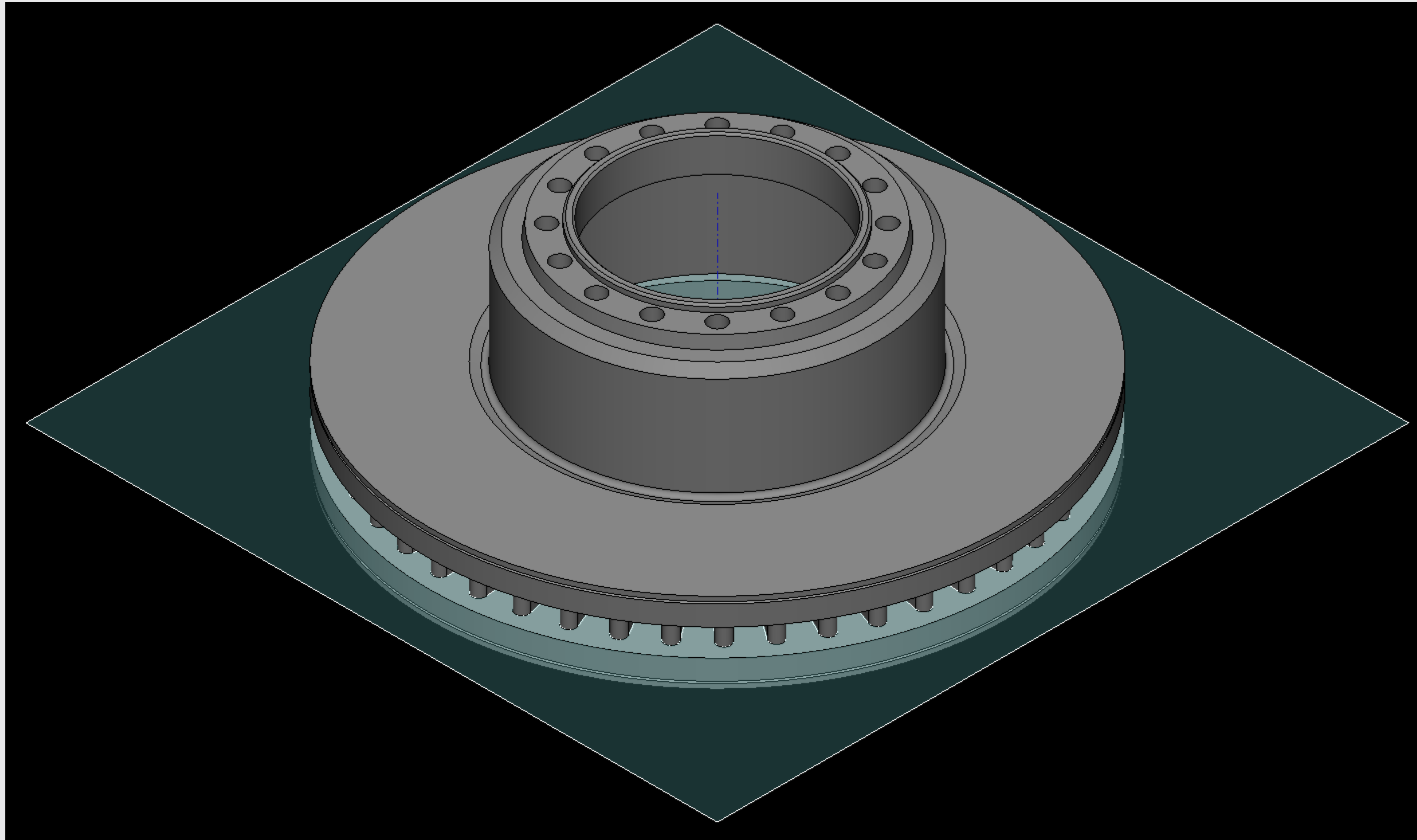
Drawing available on request



Steps in the production process.

-
- | | | | |
|-----------|--------------------------|-----------|------------------|
| 01 | Technical project | 05 | Casting |
| 02 | Technical drawing | 06 | Machining |
| 03 | Rendering | 07 | Balancing |
| 04 | Production tools | 08 | Packaging |
-

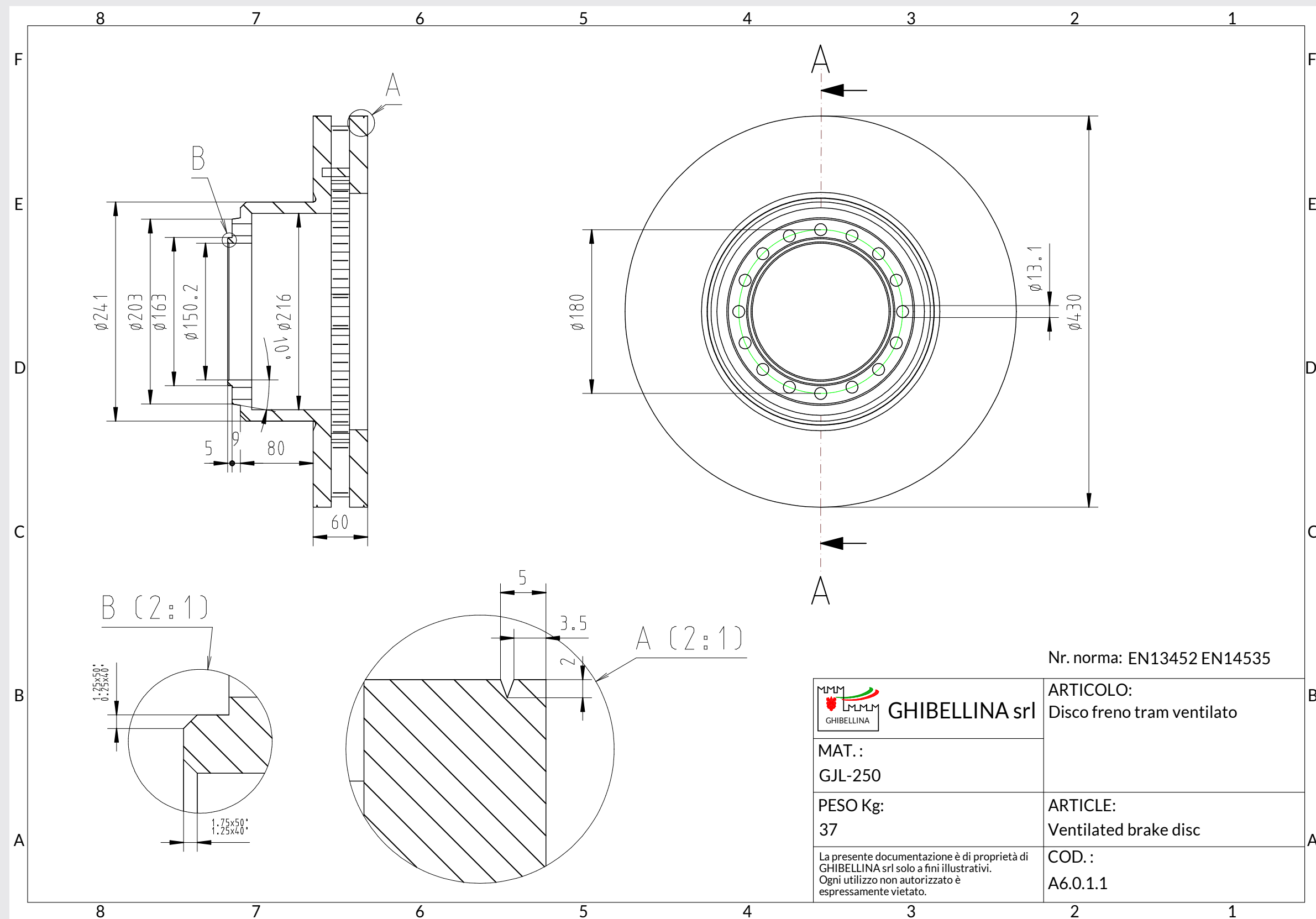
Technical project.



Creation of the 3D model.

Technical drawing.

Production of technical and tools drawing.



Technical drawing.

Rendering.

Render from 3D model.



Production tools realisation.

04



Master model.

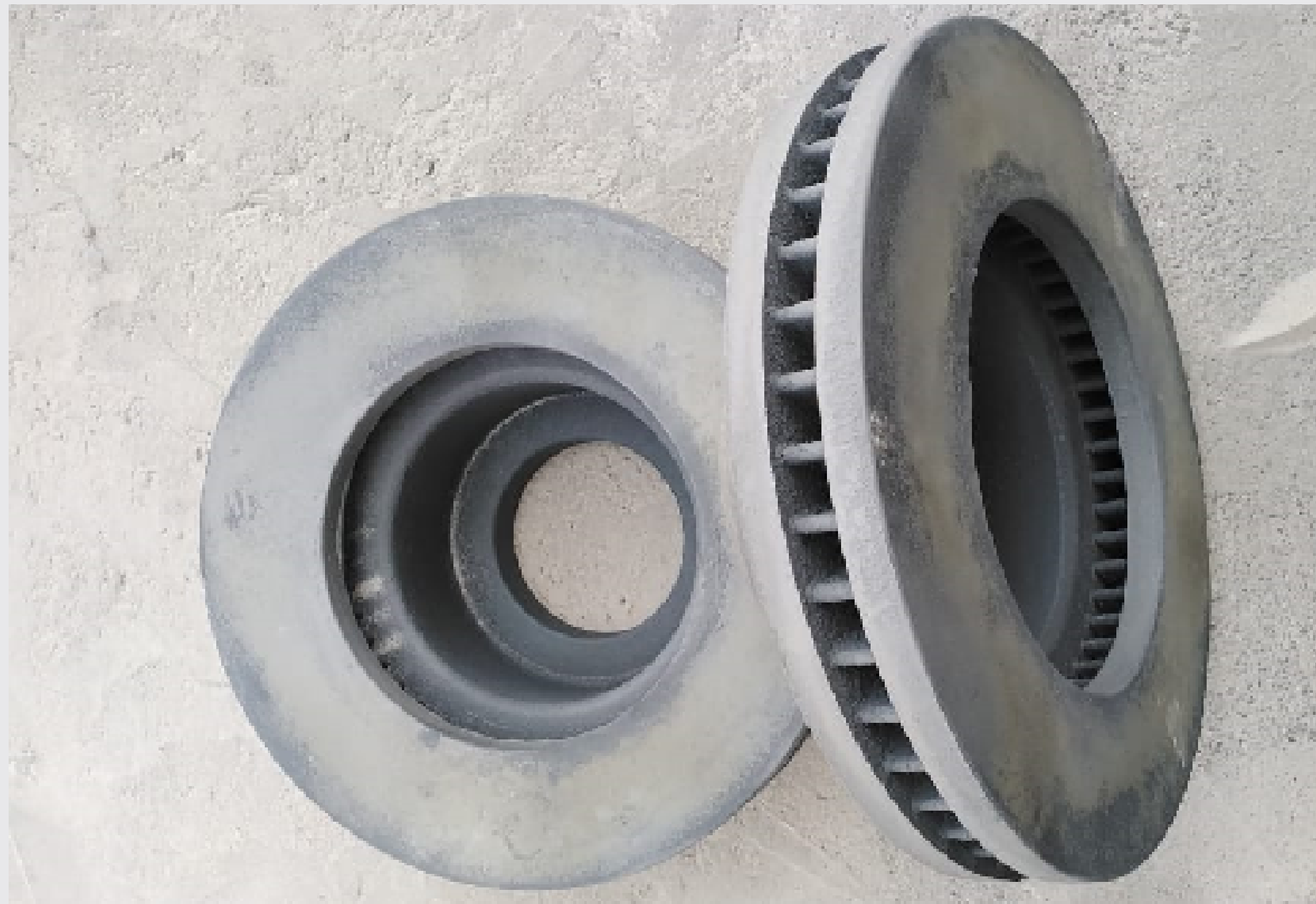
Production tools realisation.

04



Casting tools.

Casting.



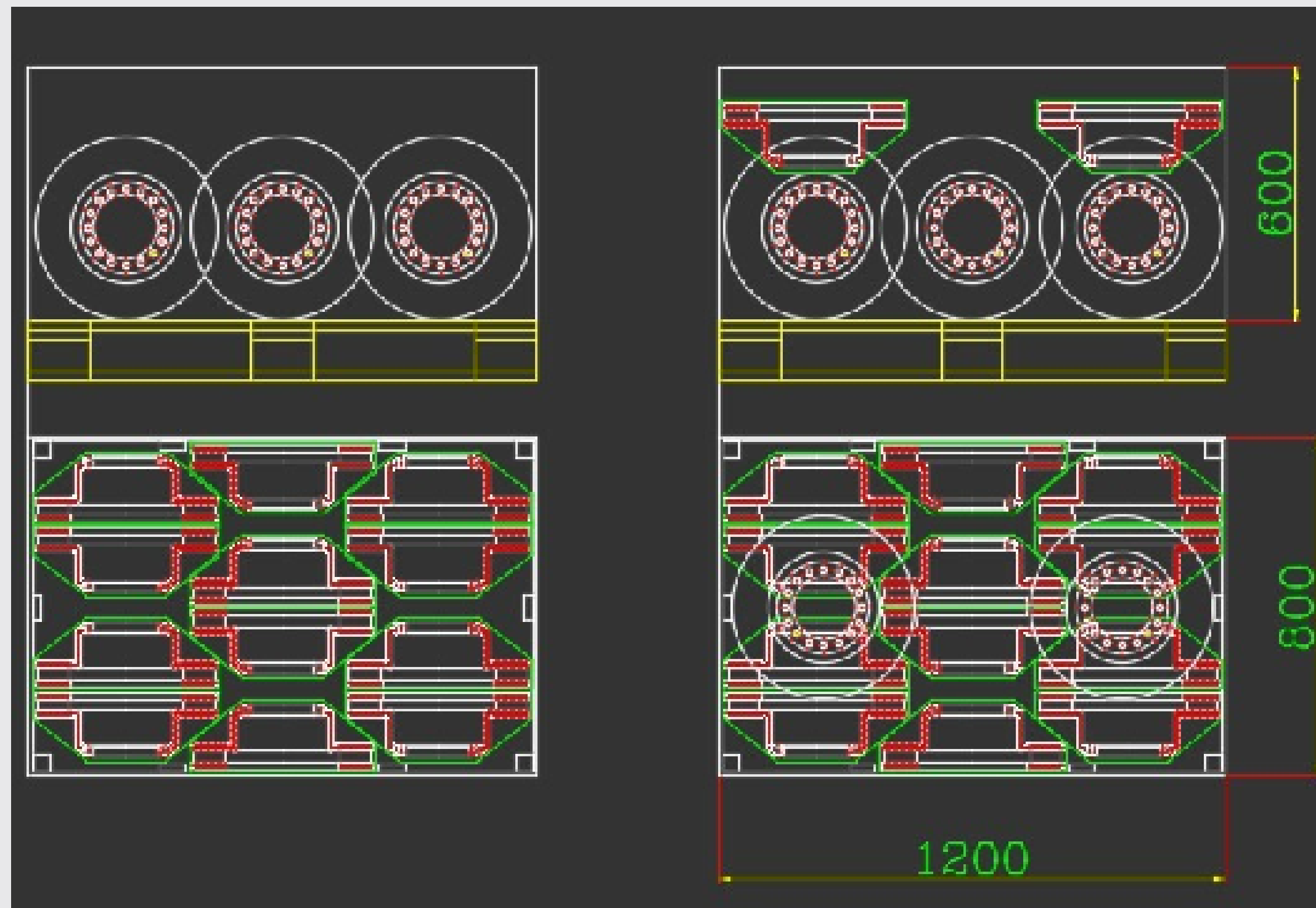
Machining.



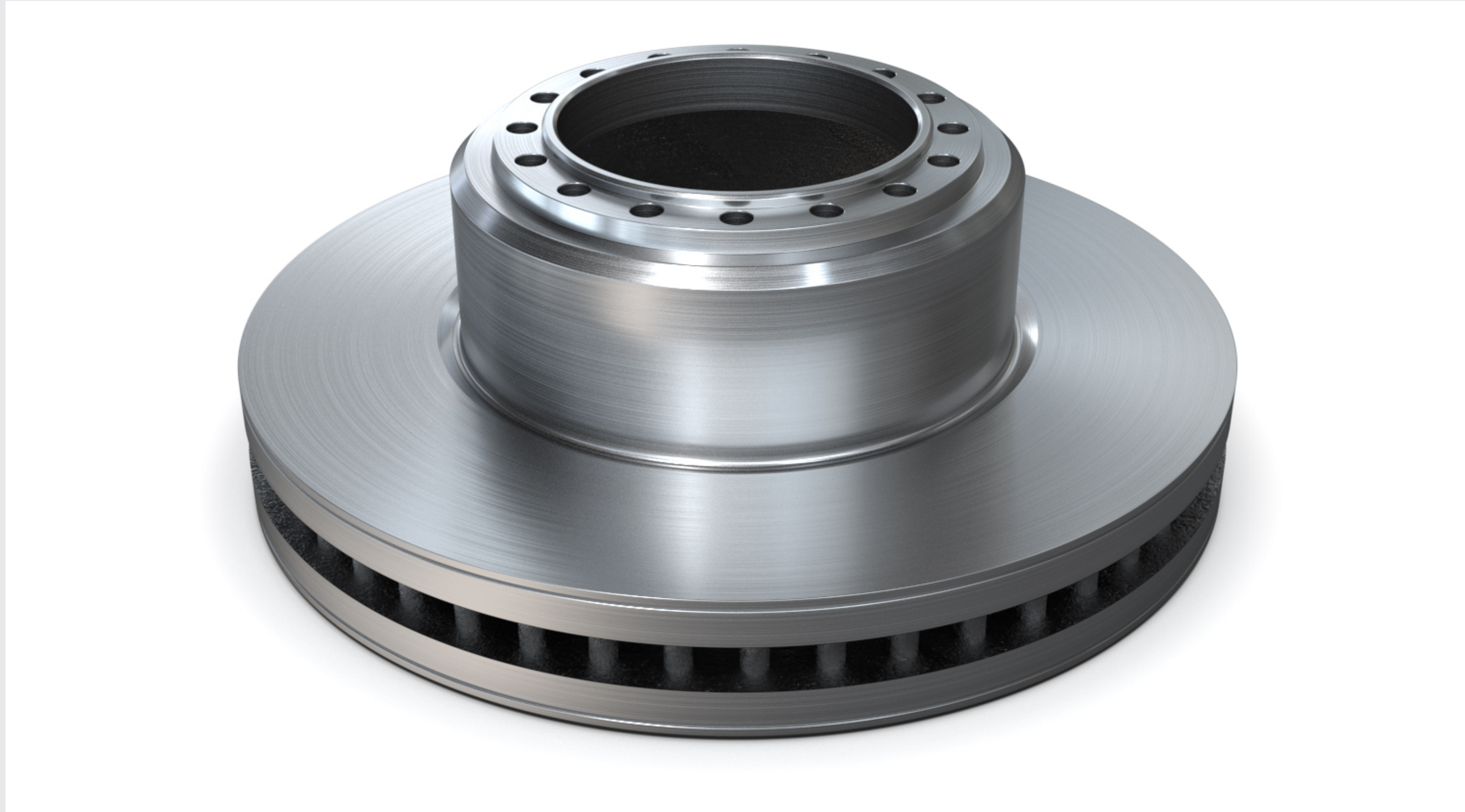
Balancing.



Packaging.



Finished product.



Render image.