



Ghibellina

CATALOGUE 2024

Efficiency on tracks, outstanding quality

Designed by Ghibellina

INDEX

Coupling

Screw coupler 850kN	p 08	Castelled nut H=84	p 20
Screw coupler 1350kN	p 08	Snail spring 65x195x250	p 21
Screw coupler fisso	p 09	Snail spring 54x167x250	p 21
Draw hook 1MN L=530	p 10	Snail spring 84x180x250	p 21
Draw hook 1MN L=330	p 10	Snail spring 65x210x330	p 21
Draw hook 1.5MN L=530	p 11	Snail spring 56x168x285	p 21
Draw hook type A 1MN L=335	p 12	Snail spring 56x135x250	p 21
Miscellaneous draw hook	p 13	Snail spring 52x108x205	p 21
Draw gear 1MN - 8 kJ	p 14	Traction plate of draw gear	p 22
Draw gear 1MN - 15 kJ	p 15	Metal disc with rubber	p 23
Draw gear 1MN - 20 kJ	p 16	Draw gear pad	p 24
Draw gear 1.5MN - 20 kJ	p 17	Metal disc for draw gear	p 25
Fringed draw gear 1.5MN - 20 kJ	p 18	Rubber disc 240 for draw gear	p 26
Draw bar 1MN L=572	p 19	Split pin 13x125	p 27
Draw bar 1MN L=518	p 19	Pin for draw gear	p 28
Castelled nut H=65	p 20	Plate for draw gear 260x120x40	p 29

Buffing

Buffer 105A 40kJ 450mm	p 31
Buffer 105A 40kJ 450mm 109kg	p 31
Buffer 105A 40kJ 450mm 117,5kg	p 31
Buffer 105A 30kJ 450mm	p 31
Buffer 105A 40kJ 550mm	p 32
Buffer 105A 40kJ 550mm 127,4kg	p 32
Buffer 105A 30kJ 550mm	p 32

Complete bogies

Bogie Y25	p 34
-----------	------

Running gear

Wheelset BA004	p 36	Locking plate for axle	p 48
Axle BA002	p 37	Locking plate for axle LK95	p 49
Wheel BA004	p 38	Axlebox BA182 22.5t	p 50
Wheelset BA409	p 39	Axlebox BA386 25t	p 51
Axle BA188	p 40	Axlebox BA381 22.5t	p 52
Wheel BA409	p 41	T bracket for axlebox	p 53
Wheelset BA375	p 42	Wheelset plate	p 54
Wheel freight \varnothing 730mm	p 43	Bearings WJ/WJP 120x240 20t	p 55
Wheelset \varnothing 840mm	p 44	Bearings WJ/WJP 130x240 22.5t	p 56
Miscellaneous running gear	p 45	Bearings for bogie Y32	p 57
Tyre	p 46	Bearing plate 20t	p 58
Miscellaneous tyre	p 47	Bearing plate 22.5t	p 59

Suspension

Ring susp. - braket H=340	p 61	Linchpin for spring cap 20t	p 75
Ring susp. - braket H=365	p 62	Linchpin for spring cap 22.5t	p 75
Miscellaneous leafsprings	p 63	Lenoir ring 20t	p 76
Ring susp. - stone	p 64	Lenoir ring 22.5t	p 76
Ring susp. - linchpin L=221	p 65	Bush for push button	p 77
Ring susp. - linchpin L=171	p 65	Push botton	p 78
Ring susp. - linchpin L=134	p 65	Push button for bogie with Mn plate	p 79
Ring susp. - clevis	p 66	Helicoidal springs bogie Y25 20t	p 80
Ring susp. - ring L=138	p 67	Helicoidal springs bogie Y25 22.5t	p 80
Ring susp. - ring L=140	p 67	Helicoidal springs bogie MD1	p 81
Ring susp. - ring L=171	p 67	Helicoidal springs bogie MD2	p 81
Ring susp. - trapezoidal ring	p 68	Helicoidal springs bogie MD36	p 81
Ring susp. - double stone	p 69	Angle guide primary susp.MD	p 82
Ring susp. - distance ring H=5	p 70	Straight guide primary susp. MD	p 83
Ring susp. - distance ring H=8	p 70	Springs primary susp. bogie Y32	p 84
Ring susp. - distance ring H=10	p 70	Springs secondary susp. bogie Y32 - dx/sx	p 85
Wheelset guidance Y25	p 71	Springs secondary susp. bogie Y32RS - dx/sx	p 85
Wheelset guidance Y25 (weighing valve)	p 72	Axle spring chevron	p 86
Linchpin for wheelset guidance 20t	p 73	Air cushion for suspension	p 87
Linchpin for wheelset guidance 22.5t	p 73	Miscellaneous helicoidal springs and suspensions	p 88
Spring cap 20t	p 74	Miscellaneous wear plates	p 89
Spring cap 22.5t	p 74		

Side bearer

Side bearer - lower part	p 91
Side bearer - upper part with wear plate	p 92
Side bearer - rivet	p 93
Side bearer - springs	p 94
Side bearer - stop	p 95

Pivot

Pivot - lower part	p 97	Pivot - countersupport	p 101
Pivot - upper part	p 98	Pivot - liner 110	p 102
Pivot - linchpin	p 99	Pivot - liner 180	p 103
Pivot - clevis	p 100	Pivot - dust gasket	p 104

Brake rigging

Cast iron brakeshoe P10 250	p 106	Brake triangle 60kN inner link	p 120
Composite brakeshoe LL 250	p 107	Brake triangle 60kN outer link	p 121
Cast iron brakeshoe P10 320	p 108	Brake triangle 120kN	p 122
Composite brakeshoe LL 320	p 109	Brake lever 150	p 123
Miscellaneous brakeshoes	p 110	Brake lever 180	p 123
Brakeshoe holder Bg for cast iron	p 111	Brake lever S support 175/65	p 124
Brakeshoe holder Bg for composite	p 111	Connector 470 ø51	p 125
Brakeshoe holder Bgu ø 70	p 112	Connector 470 ø61	p 125
Brakeshoe holder Bgu ø 85	p 112	Connector 470 with hump ø51	p 126
Miscellaneous brakeshoe holder	p 113	Connector 470 with hump ø61	p 126
Wedge for single brakeshoe holder	p 114	Slack adjuster DRV 2A 450	p 127
Wedge for double brakeshoe holder	p 115	Slack adjuster DRV 2A 600	p 127
Folded wedge	p 116	Slack adjuster eyelet	p 128
Pin for brakeshoe holder	p 117	Ventilated brake disc	p 129
Hanger 225	p 118	Miscellaneous pin for brake rigging	p 130
Hanger 240	p 118	Miscellaneous cable for handbrake	p 131
Hanger 250	p 118	Miscellaneous brake disc	p 132
Hanger axlebox	p 119		

Brake devices

Handbrake wheel hole 26x26	p 134	AUTOM handle with beam	p 141
Plate G/P	p 135	Empty/load plate	p 142
Lever G/P	p 136	Empty/load lever	p 143
Isolation plate dx	p 137	Toothed wheel	p 144
Isolation plate sx	p 138	Connection lever	p 145
Isolation lever	p 139	Inverter bracket	p 146
AUTOM handle	p 140		

Brake pneumatic parts

Pressure regulator LDR 150 5 bar	p 148	End cock dx 1" 1/4	p 157
Halfcoupler L=620 RED	p 149	End cock sx 1"	p 158
Halfcoupler L=620 YELLOW	p 150	End cock sx 1" 1/4	p 158
Halfcoupler head	p 151	Fringe for end cock 1"	p 159
Halfcoupler head gasket	p 152	Fringe for end cock 1" 1/4	p 159
Halfcoupler hose	p 153	End cock seal gasket	p 160
Halfcoupler connection	p 154	End cock gasket 26x50x8	p 161
End cock dx UIC 1"	p 155	Cock FV4A-05 (var. FAUR FV4aH14E1)	p 162
End cock dx UIC 1" 1/4	p 155	Brake cylinder	p 163
End cock sx UIC 1"	p 156	Brake cylinder gasket	p 164
End cock sx UIC 1" 1/4	p 156	Miscellaneous brake control and valvs	p 165
End cock dx 1"	p 157	Miscellaneous air tanks	p 166

Shock absorbers

Primary vertical shock absorber	p 168
Secondary vertical shock absorber	p 168
Secondary lateral shock absorber	p 168
Anti-yaw damper	p 168

Superstructures

Cable hook	p 170	Pin box	p 181
Document holder	p 171	Handle 330	p 182
Lateral pivoting stand UIC	p 172	Handle 350	p 182
Sliding stand UIC	p 173	Shunter's handrail	p 183
Lower catch for door	p 174	Running board 270	p 184
Upper catch for door	p 175	Running board 350	p 184
Lower eye-bolt for door	p 176	Lateral traction plate	p 185
Halfcoupler hanger	p 177	Earthing cable L=350	p 186
Draw hook guidance	p 178	Earthing cable L=700	p 186
Folding pin box seat 28	p 179	Central footplate for articulated wagons	p 187
Folding pin box seat 20	p 179	Left footplate for articulated wagons	p 188
Folding pin box	p 180	Right footplate for articulated wagons	p 189

Signaling

Acoustic air signaling M75F/370	p 191
Acoustic air signaling M75F/660	p 191

Lighting

Multifunctional headlight 24V TSI	p 193
Door locked multiLED external light	p 194
Exodus light with housing	p 195
Red LED fixed tail light	p 196
Standard LED spotlight 4.000°K	p 197
Standard LED spotlight 3.000°K	p 198
LED strip with housing 5.000°K	p 199

On-board equipment

Wooden shoe stop with flag	p 201
Aluminium shoe stop	p 202
Shoe stop cat. FS 050/012	p 203

Contacts

	p 204
--	-------

COUPLING

2024



Article

SCREW COUPLER

Code

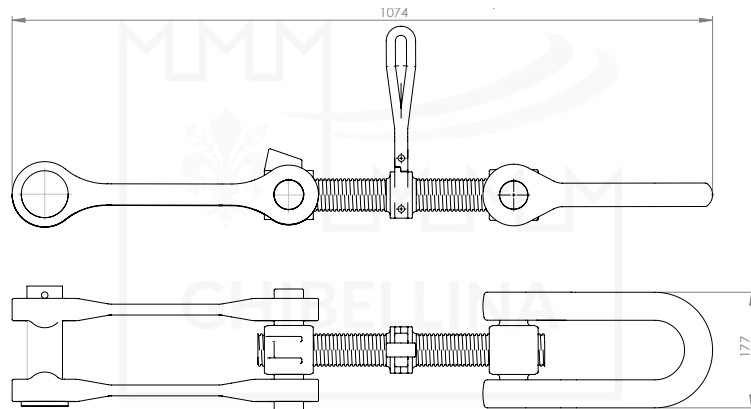
A1.1.*

Group

Coupling

Material
42CrMo4

Weight
37 kg



Drawing available on request



ARTICLE

A1.1.1.1

A1.1.4.1

FORCE

850kN

1350kN

MATERIAL

42CrMo4

42CrMo4+QT



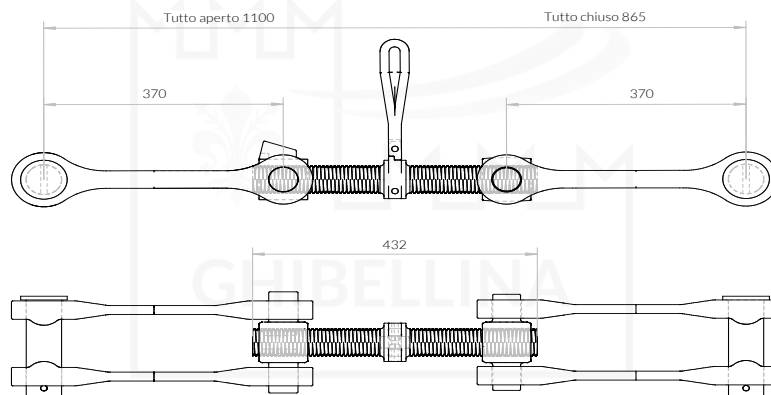
Article

FIXED SCREW COUPLER

Code

A1.1.2.1

Group

CouplingMaterial
42CrMo4Weight
See drawing

Drawing available on request





Article

DRAW HOOK 1MN

Code

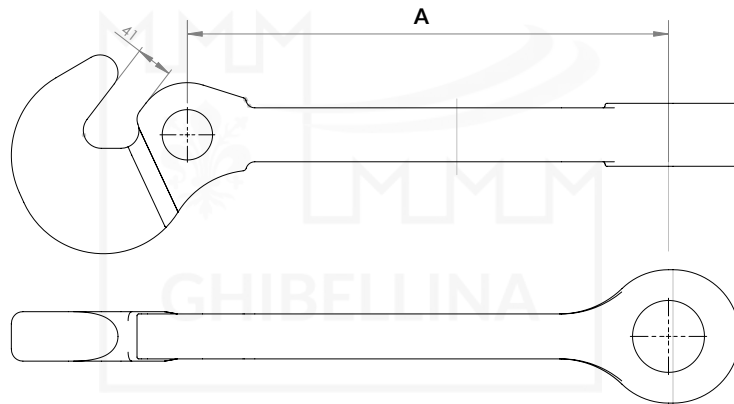
A1.2.1.*

Group

Coupling

Material
50MnSi4

Weight
See table



Drawing available on request



ARTICLE

A

WEIGHT

A1.2.1.1

530 mm

28 kg

A1.2.1.2

330 mm

22 kg



Article

DRAW HOOK 1.5MN L=530

Code

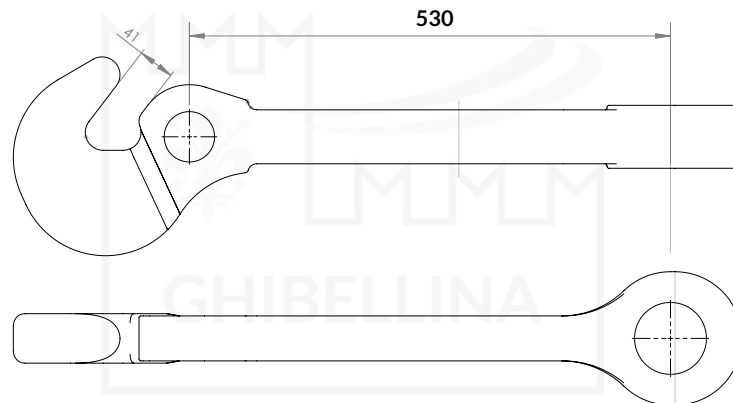
A1.2.2.1.1

Group

Coupling

Material
42CrMo4+QT

Weight
27 Kg



Drawing available on request





Article

DRAW HOOK TYPE A

Code

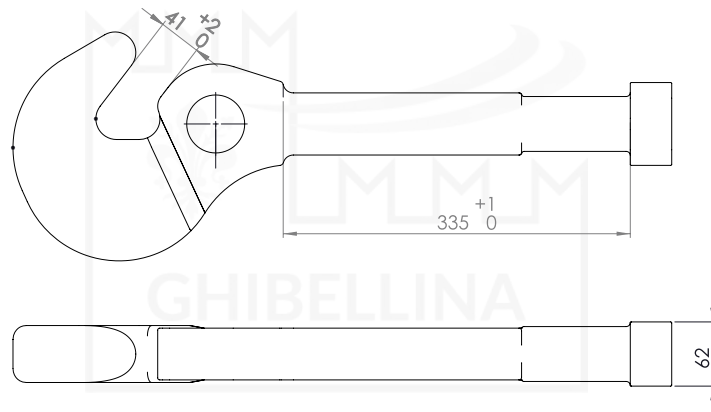
A1.2.1.3

Group

Coupling

Material
50MnSi4

Weight
20.9 Kg



Drawing available on request





GHIBELLINA CAN OFFER ANY TYPE OF
DRAW HOOK,
UNDER CUSTOMER'S REQUEST AND DRAWING.





Article

DRAW GEAR 1MN - 8KJ

Code

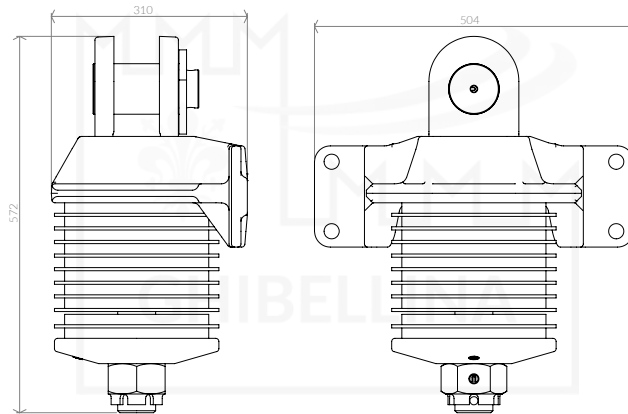
A1.3.1.1

Group

Coupling

Material
See drawing

Weight
105 Kg



Drawing available on request





Article

DRAW GEAR 1MN - 15KJ

Code

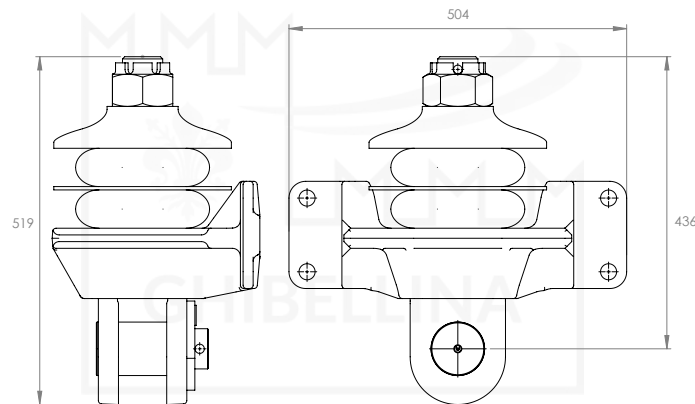
A1.3.2.1

Group

Coupling

Material
See drawing

Weight
92 Kg



Drawing available on request





Article

DRAW GEAR 1MN - 20KJ

Code

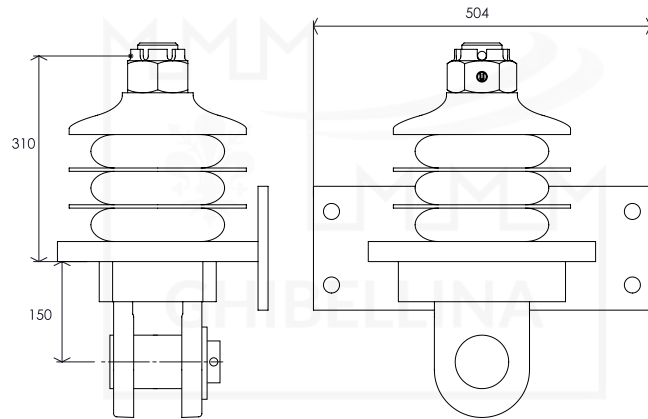
A1.3.2.2

Group

Coupling

Material
See drawing

Weight
92 Kg



Drawing available on request





Article

DRAW GEAR 1.5MN - 20KJ

Code

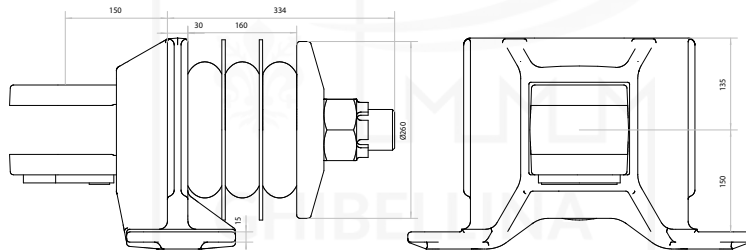
A1.3.3.1.1

Group

Coupling

Material
See drawing

Weight
85 Kg



Drawing available on request





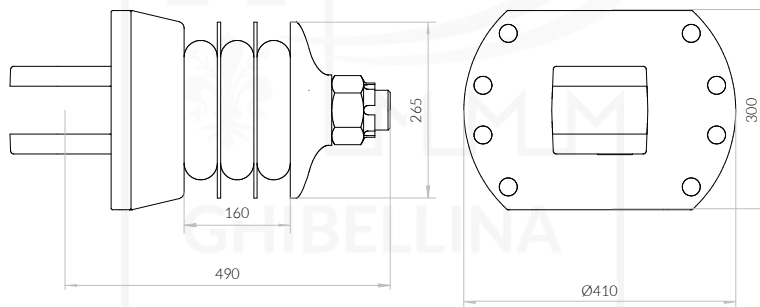
Article

FRINGED DRAW GEAR 1.5MN - 20KJ

Code

A1.3.3.2

Group

CouplingMaterial
See drawingWeight
See drawing

Drawing available on request





Article

DRAW BAR 1MN

Code

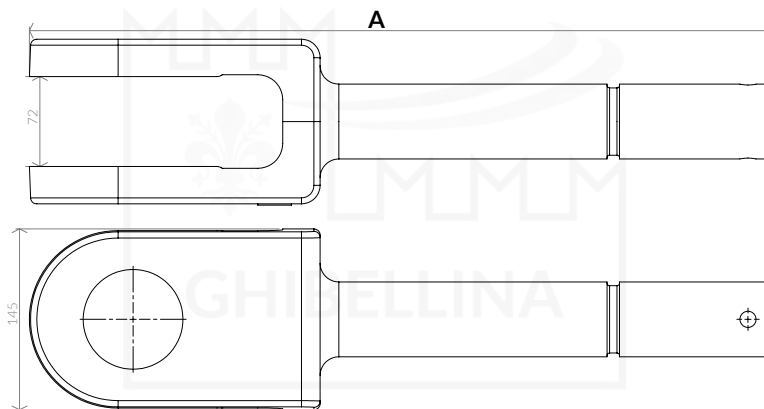
A1.3.a.*

Group

Coupling

Material
See drawing

Weight
See table



Drawing available on request



ARTICLE

A

WEIGHT

A1.3.a.1

572 mm

22 kg

A1.3.a.1.1

518 mm

21 kg



Article

CASTELLED NUT

Code

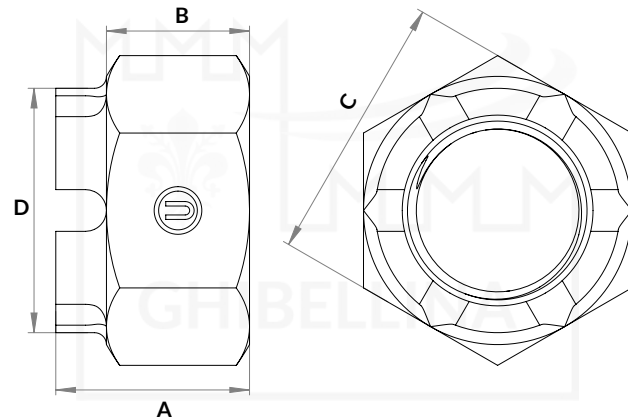
A1.3.c.*

Group

Coupling

Material
42CrMo4+QT

Weight
2 Kg



Drawing available on request



ARTICLE

A

B

C

D

A1.3.c.1

65 mm

48 mm

90 mm

82 mm

A1.3.c.2

84 mm

64 mm

100 mm

90 mm



Article

SNAIL SPRING

Code

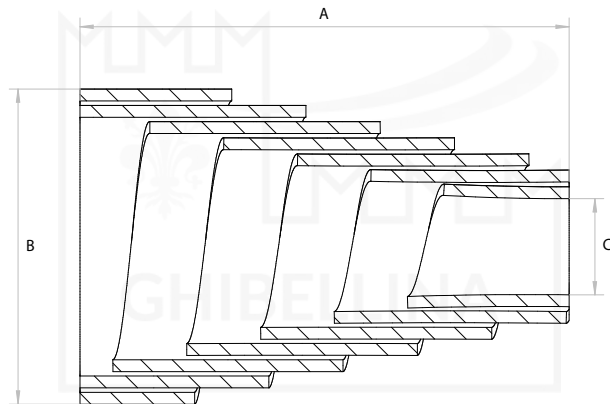
A1.3.d.*

Group

Coupling

Material
See table

Weight
See table



Drawing available on request



ARTICLE	A	B	C	MATERIAL	WEIGHT
A1.3.d.4	250	195	65	51CrV4	65
A1.3.d.5	250	167	54	51CrV4	54
A1.3.d.6	250	180	84	51CrV4	84
A1.3.d.7	330	210	65	51CrV4	65
A1.3.d.8	285	168	56	51CrV4	56
A1.3.d.9	250	135	56	51CrV4	56
A1.3.d.10	205	108	52	51CrV4	52



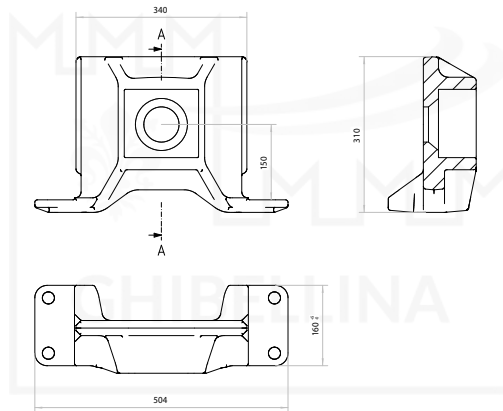
Article

TRACTION PLATE OF DRAW GEAR

Code

A1.3.and.1

Group

CouplingMaterial
See tableWeight
37 Kg

Drawing available on request





Article

METAL DISC WITH RUBBER

Code

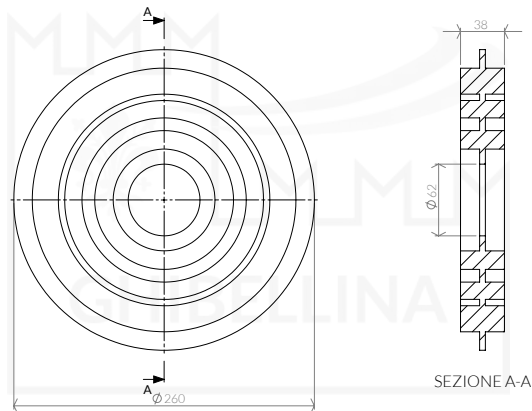
A1.3.f.1

Group

Coupling

Material
See drawing

Weight
2.6 Kg



Drawing available on request





Article

PAD DRAW GEAR

Code

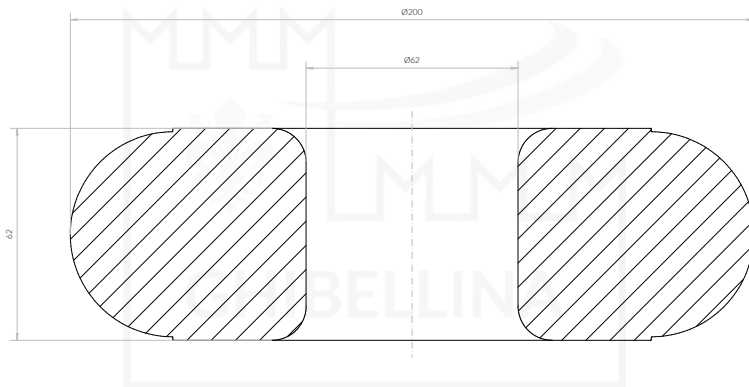
A1.3.b.1

Group

Coupling

Material
See drawing

Weight
5.6 Kg



Drawing available on request





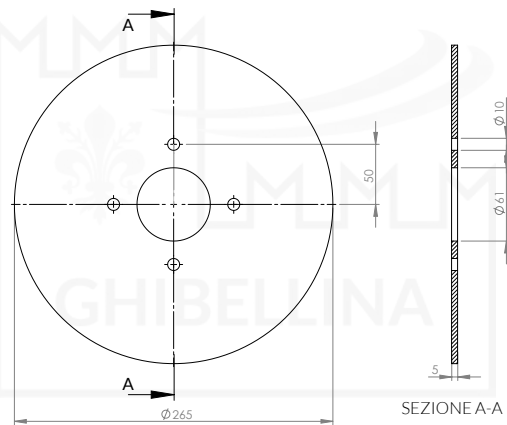
Article

METAL DISC FOR DRAW GEAR

Code

A1.3.f.2

Group

CouplingMaterial
Fe/Zn 12mWeight
2.2 Kg

Drawing available on request





Article

RUBBER DISC 240 FOR DRAW GEAR

Code

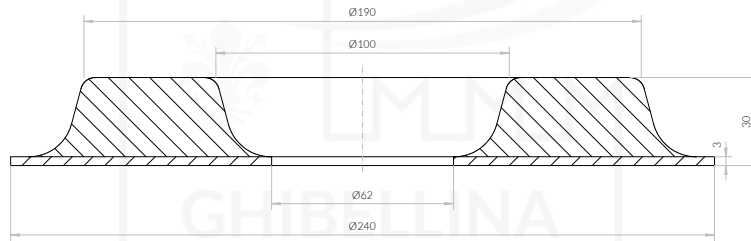
A1.3.f.3

Group

Coupling

Material
See drawing

Weight
2.4 Kg



Drawing available on request





Article

SPLIT PIN 13X125

Code

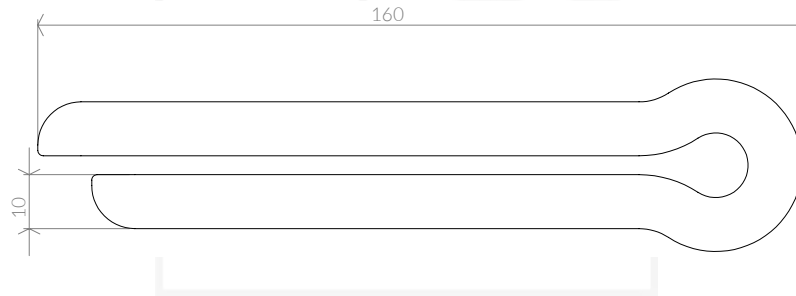
A1.3.g.1

Group

Coupling

Material
See drawing

Weight
0.2 Kg



Drawing available on request





Article

PIN FOR DRAW GEAR

Code

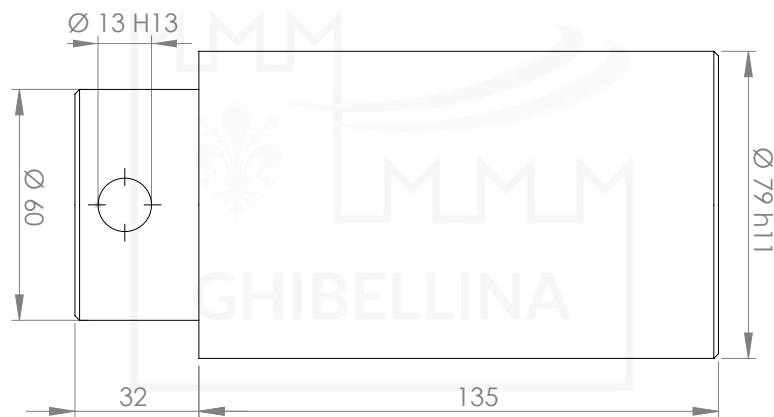
A1.3.h.1

Group

Coupling

Material
See drawing

Weight
See drawing



Drawing available on request





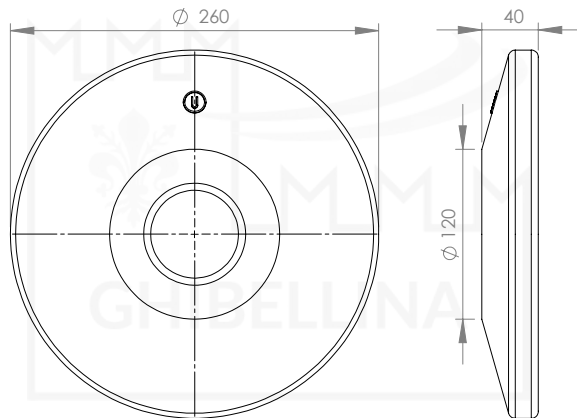
Article

PLATE FOR DRAW GEAR 260X120X40

Code

A1.3.i

Group

CouplingMaterial
See drawingWeight
12 Kg

Drawing available on request



BUFFING

2024



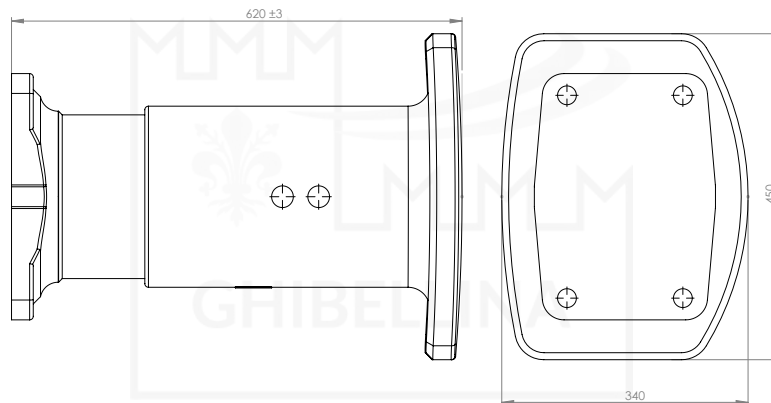
Article

BUFFER 450mm

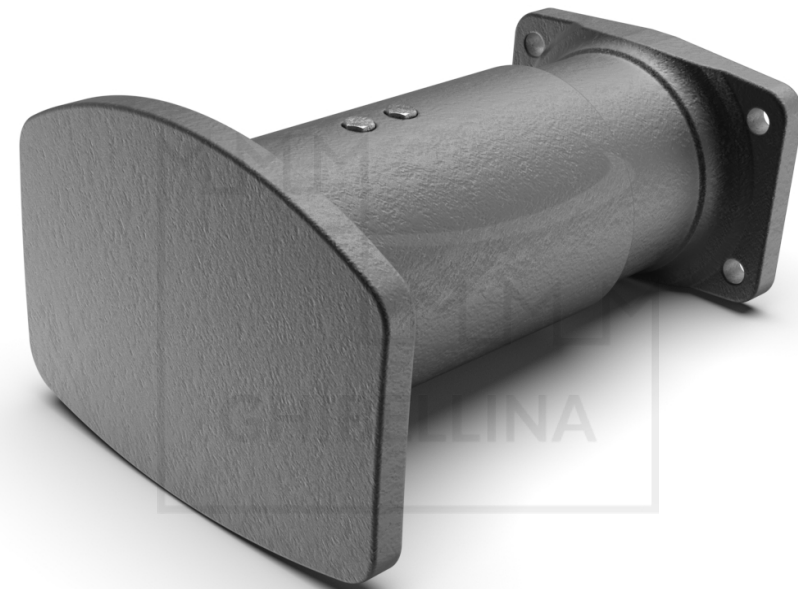
Code

A2.1.1.1.*

Group

BuffingMaterial
See drawingWeight
See table

Drawing available on request



ARTICLE

CATEGORY

ABSORPTION

WEIGHT

A2.1.1.1.1**A - 105 mm****40 kJ****126 kg****A2.1.1.1.2****A - 105 mm****40 kJ****109 kg****A2.1.1.1.3****A - 105 mm****40 kJ****117.5 kg****A2.1.1.2****A - 105 mm****30 kJ****108 kg**



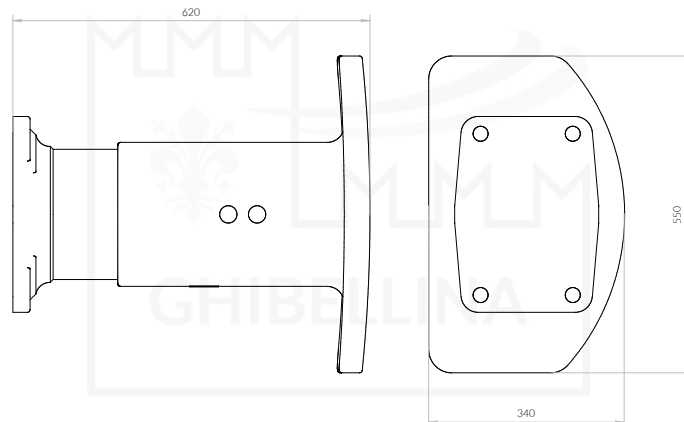
Article

BUFFER 550mm

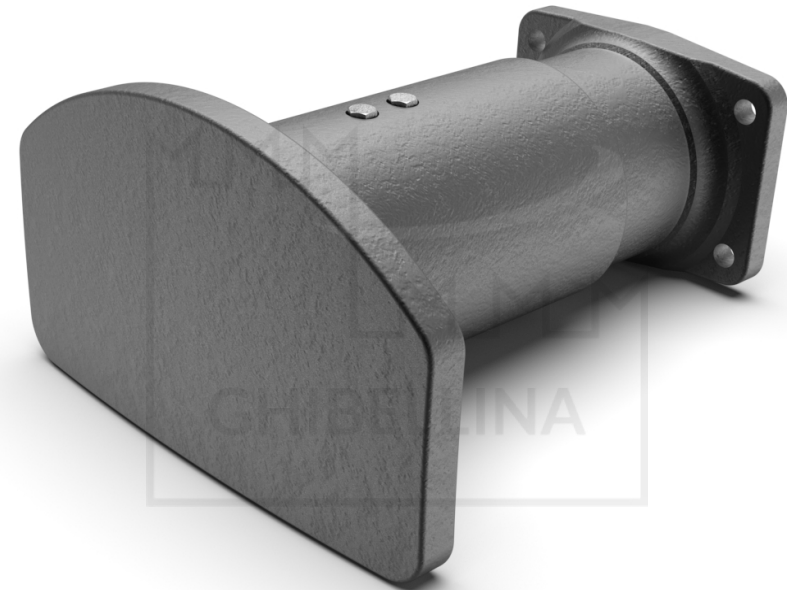
Code

A2.1.1.2.*

Group

BuffingMaterial
See drawingWeight
See table

Drawing available on request



ARTICLE

CATEGORY

ABSORPTION

WEIGHT

A2.1.1.2.1.1**A - 105 mm****40kJ****150 kg****A2.1.1.2.1.2****A - 105 mm****40kJ****127.4 kg****A2.1.1.2.2.1****A - 105 mm****30kJ****137 kg**

COMPLETE BOGIES

2024



GHIBELLINA CAN OFFER
BOGIES IDLE (Y25, Y27, 1XTA, MD, GP, ETC..) AND MOTORIZED,
BOTH NEW AND USED RECONDITIONED.



RUNNING GEAR

2024



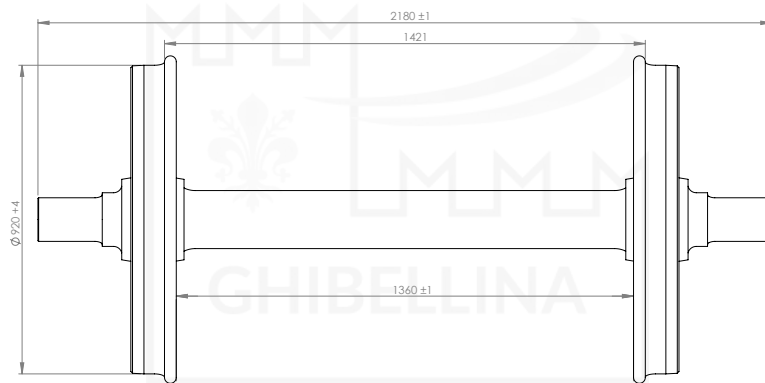
Article

WHEELSET BA004

Code

A3.4.1.1

Group

Running gearMaterial
See drawingWeight
1270 kg

Drawing available on request



PAYLOAD

22.5 t

RUNNING Ø

920 mm

STANDARD

EN 13260, TSI



Article

AXLE BA002

Code

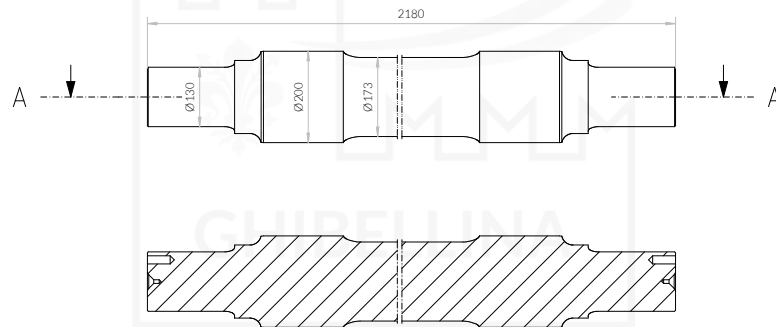
A3.3.1

Group

Running gear

Material
EA1N Cat.2

Weight
See drawing



Drawing available on request



PAYLOAD

22.5 t

STANDARD

EN 13261, TSI



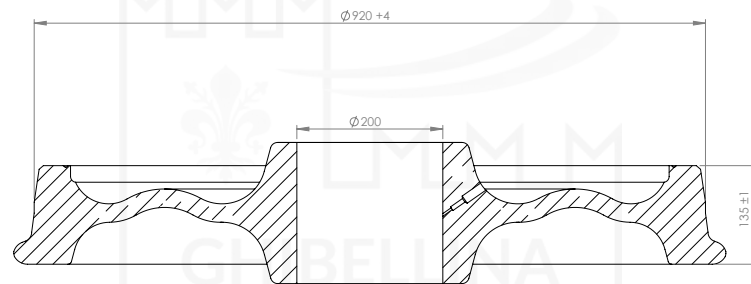
Article

WHEEL BA004

Code

A3.1.1.1.1

Group

Running gearMaterial
ER7 Cat.2Weight
See drawing

Drawing available on request



PAYLOAD

22.5 tRUNNING \varnothing **920 mm**

PROFILE

EN 13715

STANDARD

EN 13262, TSI



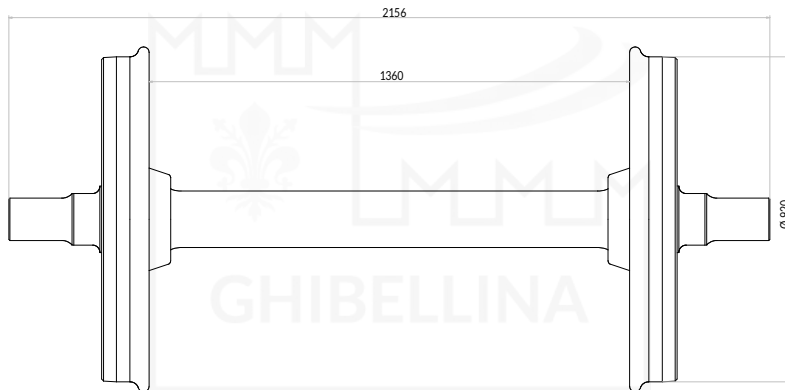
Article

WHEELSET BA409

Code

A3.4.1.4

Group

Running gearMaterial
See drawingWeight
1110 kg

Drawing available on request



PAYLOAD

20 t

RUNNING Ø

920 mm

STANDARD

EN 13260



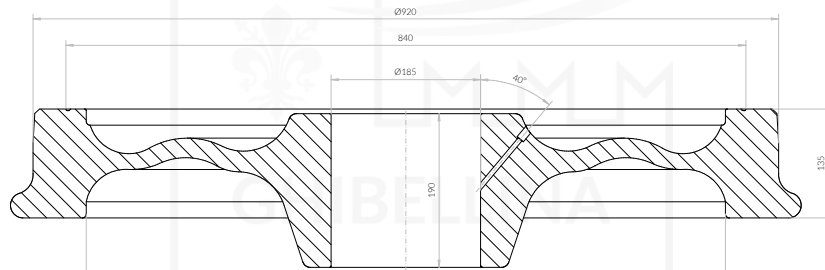
Article

WHEEL BA409

Code

A3.1.1.2

Group

Running gearMaterial
ER7 Cat.2Weight
See drawing

Drawing available on request



PAYLOAD

20 t

RUNNING Ø

920 mm

PROFILE

EN 13715

STANDARD

EN 13262



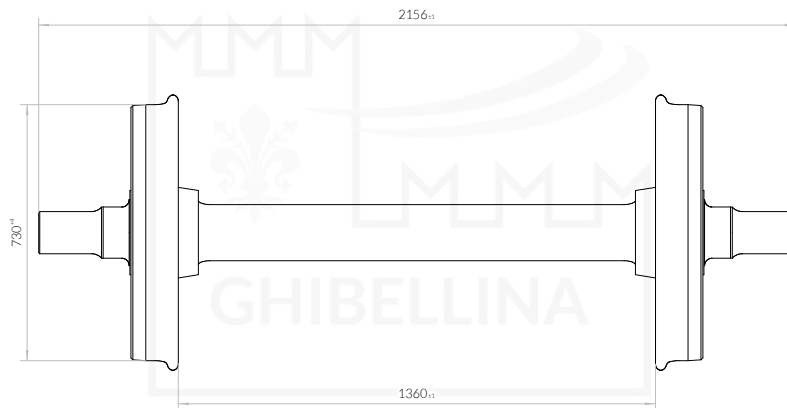
Article

WHEELSET BA375

Code

A3.4.1.7

Group

Running gearMaterial
See drawingWeight
861 kg

Drawing available on request



PAYLOAD

20 t

RUNNING Ø

730 mm

STANDARD

EN 13260



Article

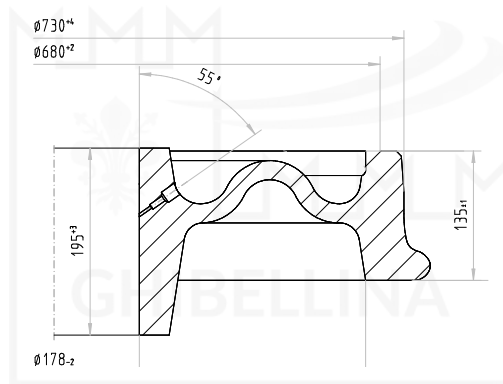
WHEEL FREIGHT \varnothing 730MM

Code

A3.1.1.3

Group

Running gear

Material
ER7 Cat.2Weight
218 kg

Drawing available on request



PAYLOAD

20 t

RUNNING \varnothing

730 mm

PROFILE

EN 13715

STANDARD

EN 13262



Article

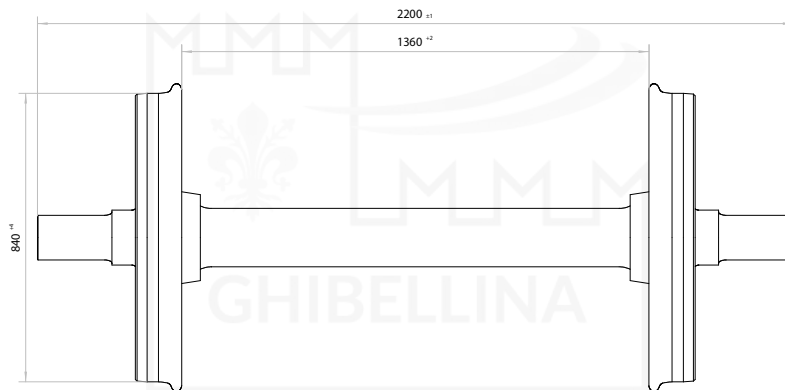
WHEELSET Ø 840MM

Code

A3.4.1.8

Group

Running gear

Material
See drawingWeight
951 kg

Drawing available on request



PAYLOAD

20 t

RUNNING Ø

840 mm

STANDARD

EN 13260, TSI



GHIBELLINA CAN OFFER ANY TYPE OF
**WHEEL, ASSE AND WHEELSET, SIA FREIGHT CHE
PASSEGGERI,**

UNDER CUSTOMER'S REQUEST AND DRAWING.
MOREOVER, GHIBELLINA OFFERS AN **OVERHAUL SERVICE**
FOR WHEELSETS ACC. TO STANDARD **VPI IS1, IS2 AND IS3.**





Article

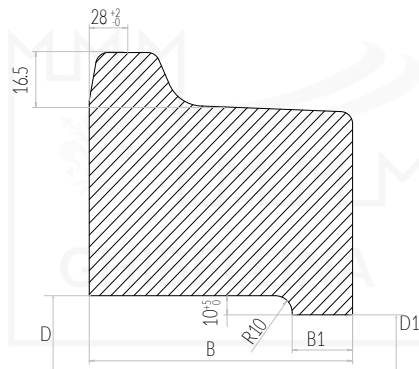
TYRE

Code

A3.2.2

Group

Running gear



Drawing available on request



NR.O	STANDARD	STEEL GRADE
1	PN-H-84027-6:1984	P54, P55A, P60
2	UIC 810 -1	B1 ÷ B6
3	BS 5892 cz.4/92 r.	B1 ÷ B7
4	GOST 398-2010	2
5	ASTM A 551 - 08	Class DHT

DIM. (MM)

D (MM) +8/-0

D1 (MM) +0/-10

B (MM) +3/-1

B1 (MM) +3/-0

WEIGHT (KG)

850	855	690	139	40	265
920	925	760	139	40	295
940	945	800	139	40	265
960	965	800	139	40	310
1000	1005	840	139	40	320
1040	1045	880	144	30	330
1100	1105	940	144	30	360
1250	1255	1090	144	30	415



GHIBELLINA CAN OFFER ANY TYPE OF
TYRE

UNDER CUSTOMER'S REQUEST AND/OR DRAWING.
MOREOVER, GHIBELLINA OFFERS AN **OVERHAUL SERVICE
OF TYRE REPLACEMENT
ON SECOND HAND WHEELSETS.**





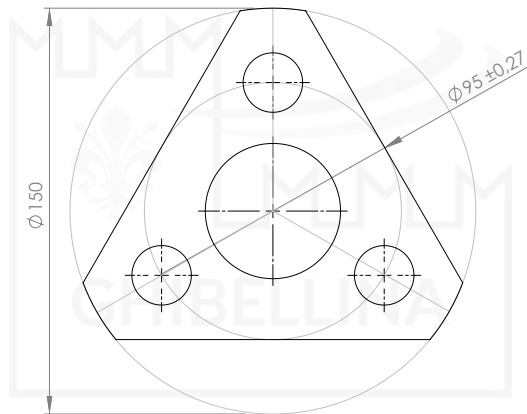
Article

LOCKING PLATE FOR AXLE

Code

A3.3.a.1

Group

Running gearMaterial
St12Weight
0.1 kg

Drawing available on request





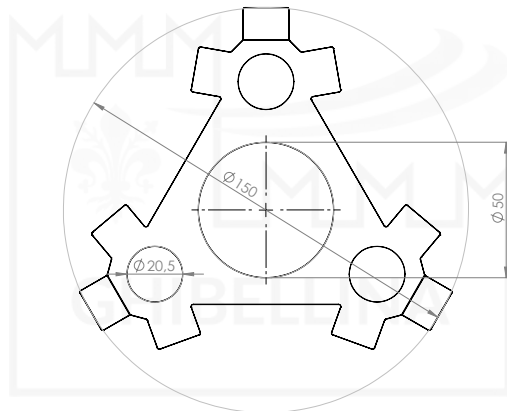
Article

LOCKING PLATE FOR AXLE LK95

Code

A3.3.a.2.3

Group

Running gearMaterial
See drawingWeight
See drawing

Drawing available on request





Article

AXLEBOX BA182 22.5T

Code

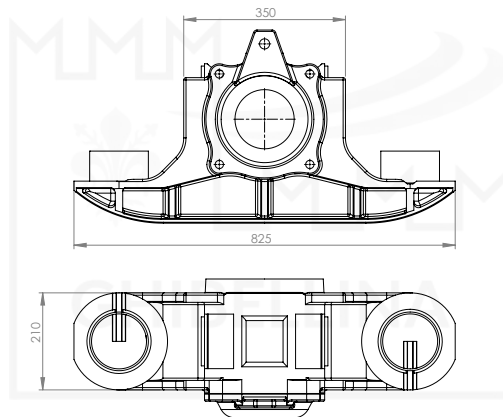
A3.5.1.1.1

Group

Running gear

Material
EN-GJS-400-18-LT

Weight
70 kg



Drawing available on request





Article

AXLEBOX BA386 25T

Code

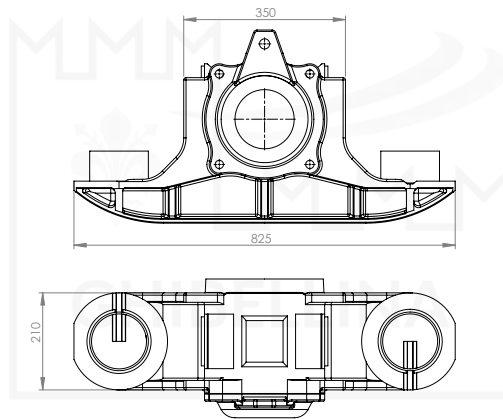
A3.5.1.1.2

Group

Running gear

Material
EN-GJS-400-18-LT

Weight
91 kg



Drawing available on request





Article

AXLEBOX BA381 22.5T

Code

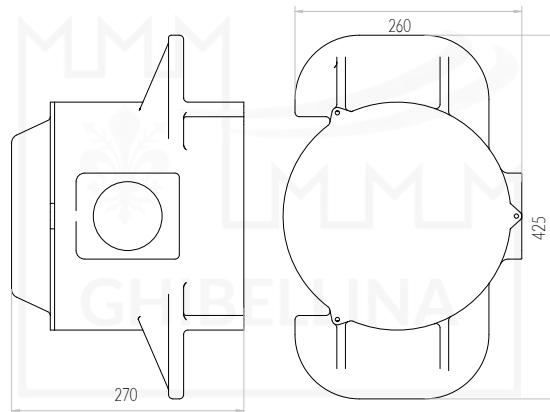
A3.5.1.2.1

Group

Running gear

Material
EN-GJS-400-18-LT

Weight
47 kg



Drawing available on request





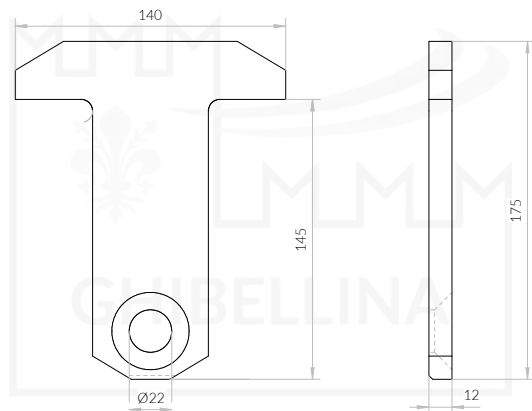
Article

T BRACKET FOR AXLEBOX

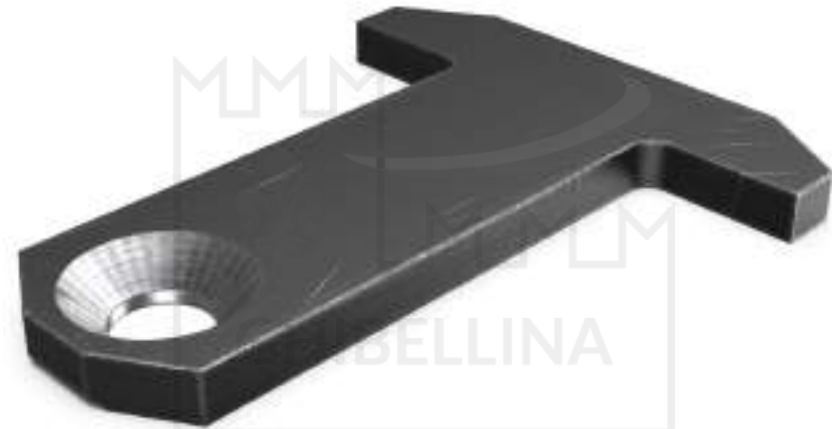
Code

A3.5.1.1.a

Group

Running gearMaterial
S235JRG2Weight
1.1 kg

Drawing available on request





Article

WHEELSET PLATE WHEELSET

Code

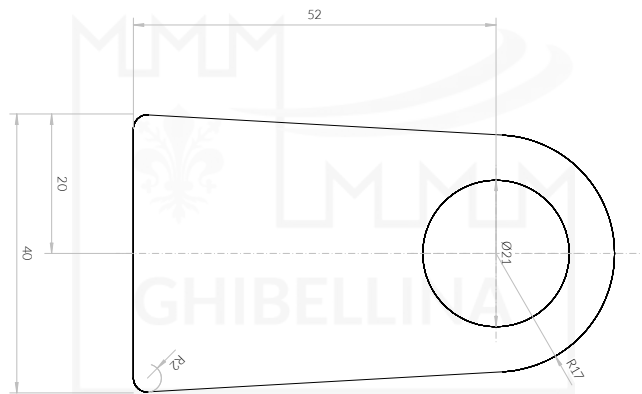
A3.5.a.1

Group

Running gear

Material
Lamiera galvanizzata

Weight
0.3 kg



Drawing available on request





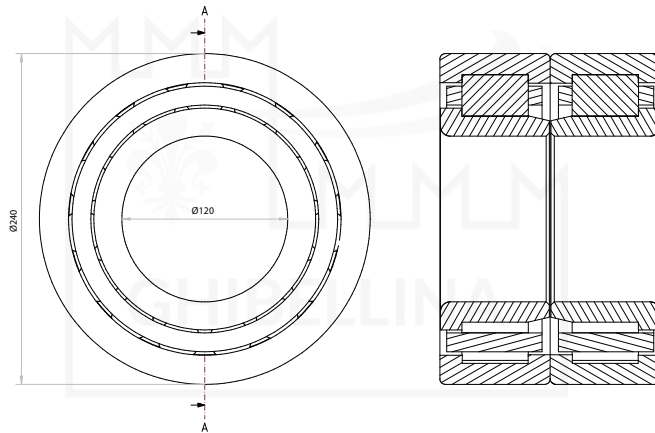
Article

BEARINGS WJ/WJP 120X240 20t

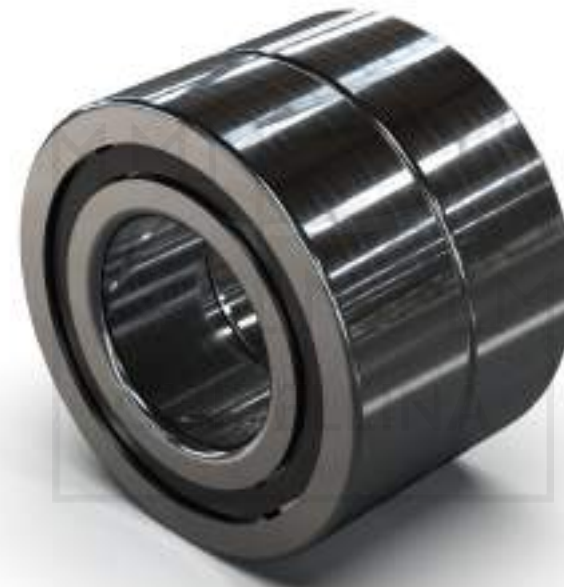
Code

A3.6.1.1

Group

Running gearMaterial
See drawingWeight
32 kg

Drawing available on request





Article

BEARINGS WJ/WJP 130X240 22.5t

Code

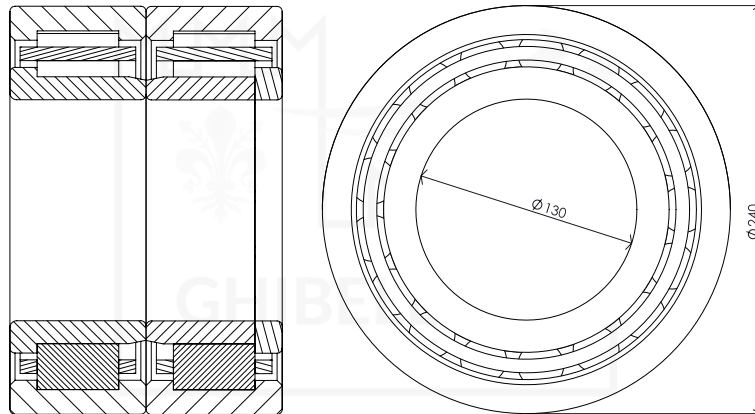
A3.6.1.2

Group

Running gear

Material
See drawing

Weight
30.6 kg



Drawing available on request





Article

BEARINGS FOR BOGIE Y32

Code

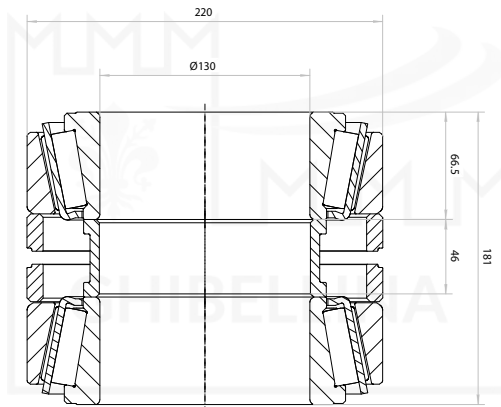
A3.6.2.1

Group

Running gear

Material
See drawing

Weight
23.9 kg



Drawing available on request





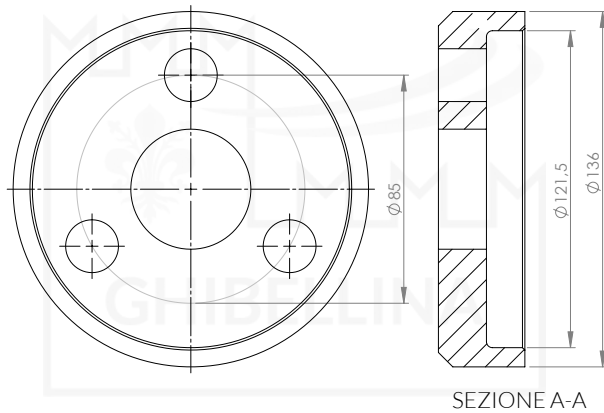
Article

BEARING PLATE 20t

Code

A3.6.a.2

Group

Running gearMaterial
S355J2Weight
3.2 kg

Drawing available on request





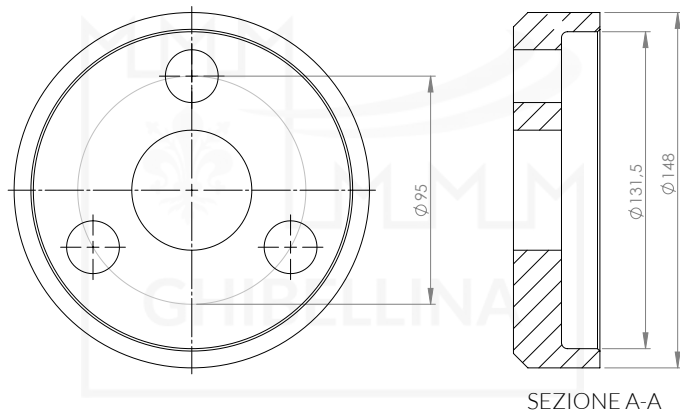
Article

BEARING PLATE 22.5t

Code

A3.6.a.1

Group

Running gearMaterial
S355J2Weight
3.2 kg

Drawing available on request



SUSPENSION

2024



Article

RING SUSP. - BRAKET H=340

Code

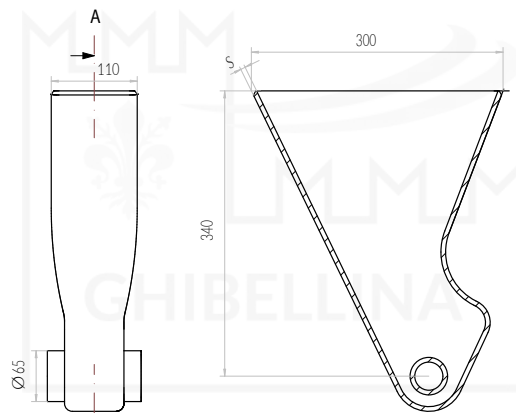
A4.1.2.3.1.1

Group

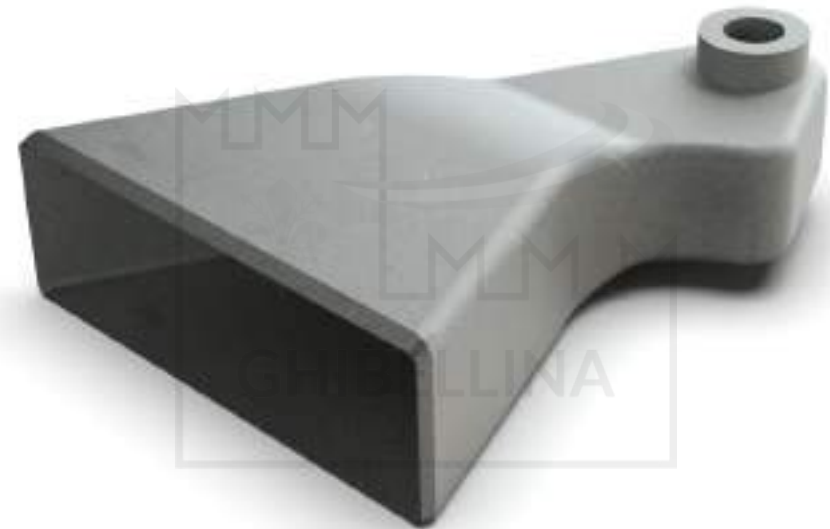
Primary suspension

Material
S355J0 (St52-3)

Weight
14.4 Kg



Drawing available on request



VARIANT

1

2

S

6 mm

7 mm



Article

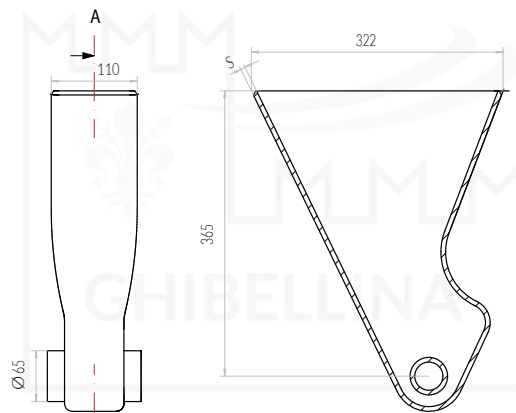
RING SUSP. - BRAKET H=365

Code

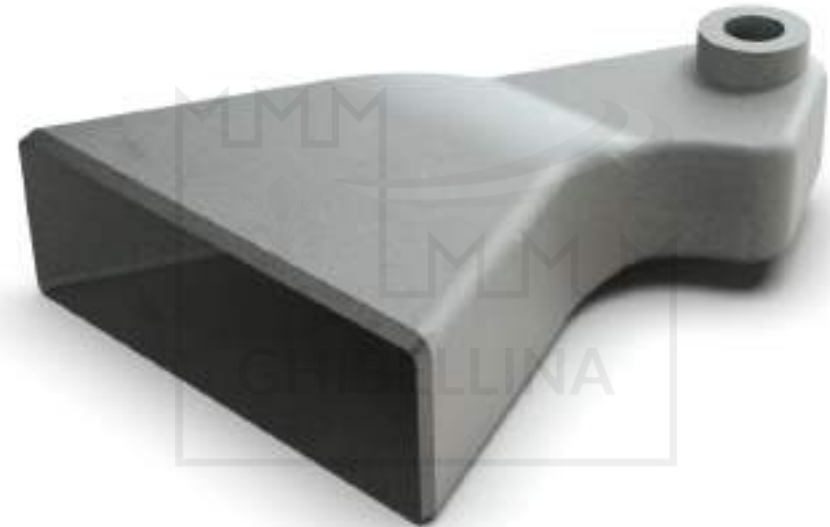
A4.1.2.3.1.3

Group

Primary suspension

Material
S355J0 (St52-3)Weight
14.4 Kg

Drawing available on request



VARIANT

1

2

S

6 mm

7 mm



GHIBELLINA CAN OFFER ANY TYPE OF
LEAFSPRING
UNDER CUSTOMER'S REQUEST AND/OR DRAWING.





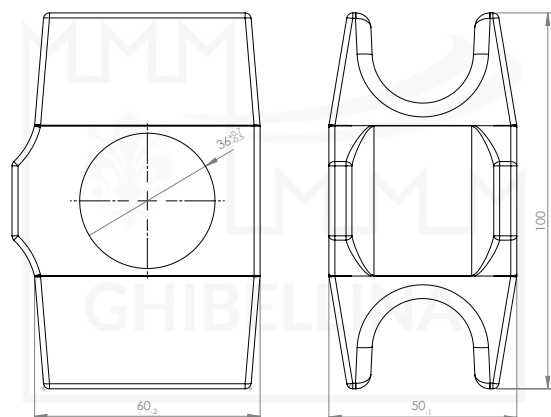
Article

RING SUSP. - STONE

Code

A4.1.2.2.1.1

Group

Primary suspensionMaterial
EN-GJS-700-2Weight
1.2 kg

Drawing available on request





Article

RING SUSP. - LINCHPIN

Code

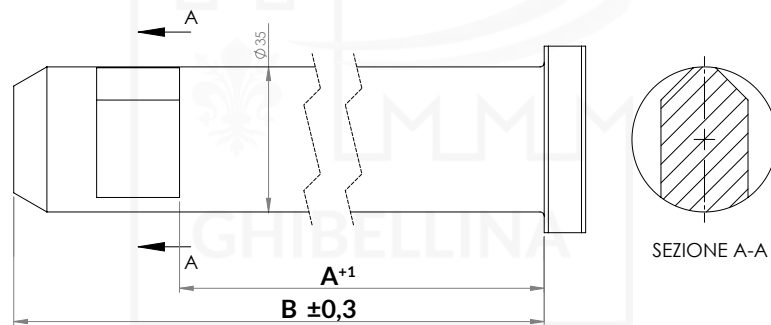
A4.1.2.2.2.*

Group

Primary suspension

Material
E360

Weight
See table



Drawing available on request



ARTICLE

A

B

WEIGHT

A4.1.2.2.2.1

221 mm

271 mm

2.1 kg

A4.1.2.2.2.2

171 mm

221 mm

1.7 kg

A4.1.2.2.2.3

134 mm

174 mm

1.5 kg



Article

RING SUSP. - CLEVIS

Code

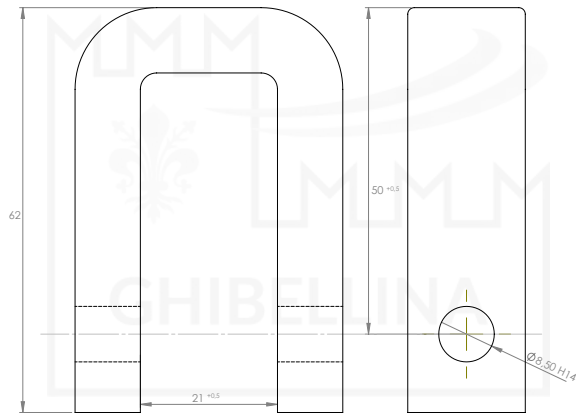
A4.1.2.2.3

Group

Primary suspension

Material
E360

Weight
0.2 Kg



Drawing available on request





Article

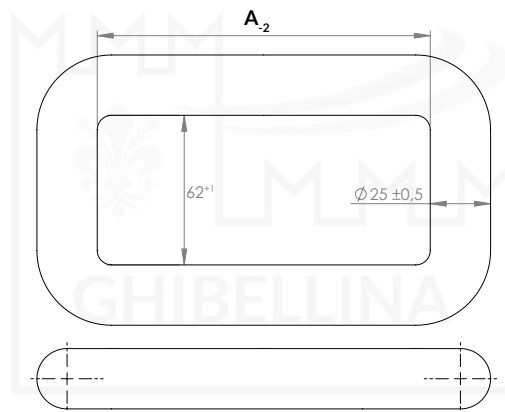
RING SUSP. - RING

Code

A4.1.2.2.4.*

Group

Primary suspension

Material
E360Weight
See table

Drawing available on request



ARTICLE

A

WEIGHT

A4.1.2.2.4.1

138 mm

1.75 kg

A4.1.2.2.4.2

140 mm

1.75 kg

A4.1.2.2.4.3

171 mm

2.90 kg



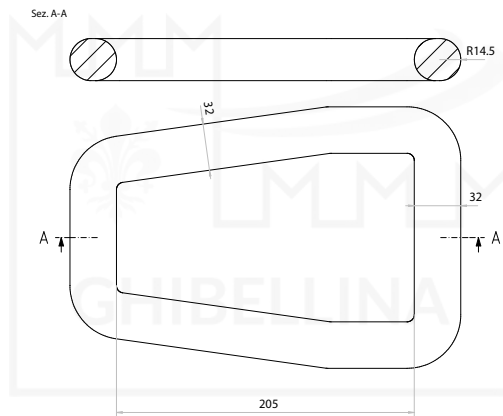
Article

RING SUSP. - TRAPEZOIDAL RING

Code

A4.1.2.2.4.4

Group

Primary suspensionMaterial
C55RWeight
See drawing

Drawing available on request





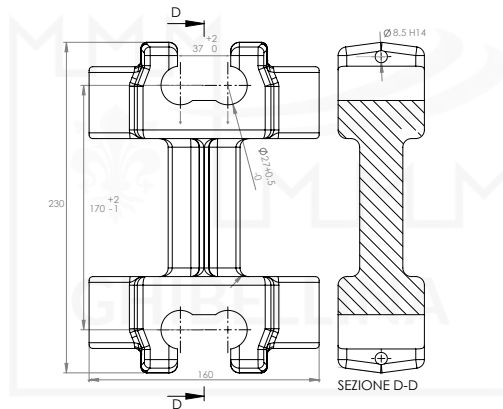
Article

RING SUSP. - DOUBLE STONE

Code

A4.1.2.2.5

Group

Primary suspensionMaterial
E360Weight
4.9 Kg

Drawing available on request





Article

RING SUSP. - DISTANCE RING

Code

A4.1.2.2.6.*

Group

Primary suspension

Material
ST37-2

Weight
See table



Drawing available on request



ARTICLE

A

WEIGHT

A4.1.2.2.6.1

5 mm

0.7 kg

A4.1.2.2.6.2

8 mm

1.0 kg

A4.1.2.2.6.3

10 mm

1.1 kg



Article

WHEELSET GUIDANCE Y25

Code

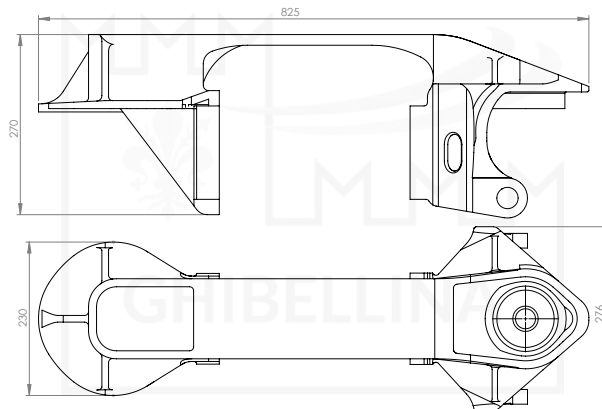
A5.1.1.1.1

Group

Primary suspension

Material
E260 450M

Weight
42.5 Kg



Drawing available on request





Article

WHEELSET GUIDANCE Y25 (WEIGHING VALVE)

Code

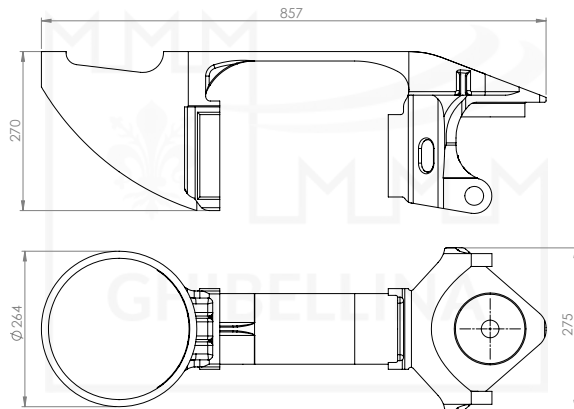
A5.1.1.1.2

Group

Primary suspension

Material
E260 450M

Weight
42.5 Kg



Drawing available on request





Article

LINCHPIN FOR WHEELSET GUIDANCE

Code

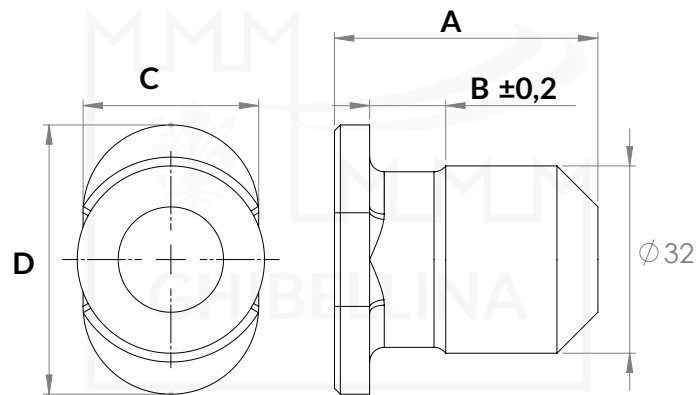
A5.1.1.1.*

Group

Primary suspension

Material
See drawing

Weight
0.21 Kg



Drawing available on request



ARTICLE

A

B

C

D

PAYLOAD

A5.1.1.1.a

41 mm

13 mm

24 mm

40 mm

20 t

A5.1.1.1.b

45 mm

17 mm

30 mm

46 mm

22.5 t



Article

SPRING CAP

Code

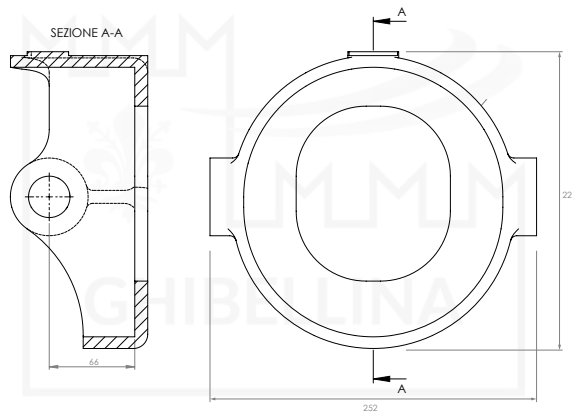
A5.2.1.1.*

Group

Primary suspension

Material
E260 450 MS

Weight
5.9 Kg



Drawing available on request



ARTICLE

A5.2.1.1.1

A5.2.1.1.2

PAYLOAD

20t

22.5t



Article

LINCHPIN FOR SPRING CAP

Code

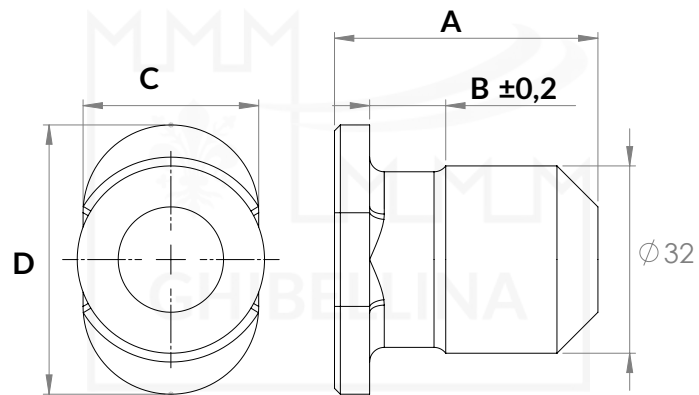
A5.2.1.1.*

Group

Primary suspension

Material
See drawing

Weight
0.21 Kg



Drawing available on request



ARTICLE

A

B

C

D

PAYLOAD

A5.2.1.1.1.a

47 mm

13 mm

24 mm

40 mm

20 t

A5.2.1.1.2.a

51 mm

19 mm

30 mm

46 mm

22.5 t



Article

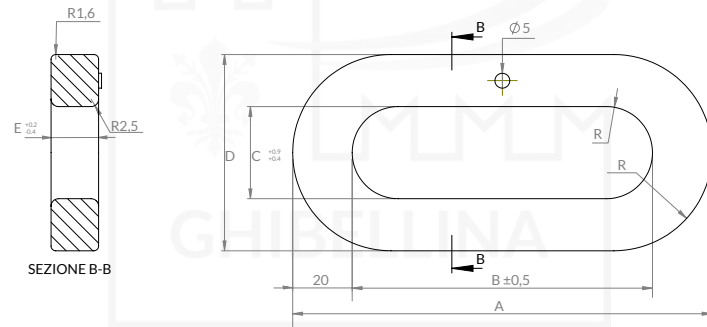
LENOIR RING

Code

A5.2.2.*

Group

Primary suspension

Material
E360Weight
0.6 Kg

Drawing available on request



ARTICLE

A

B

C

D

AND

PAYLOAD

A5.2.2.3

137 mm

97 mm

25 mm

60 mm

12 mm

20 t

A5.2.2.2

143 mm

103 mm

31 mm

66 mm

16 mm

22.5 t



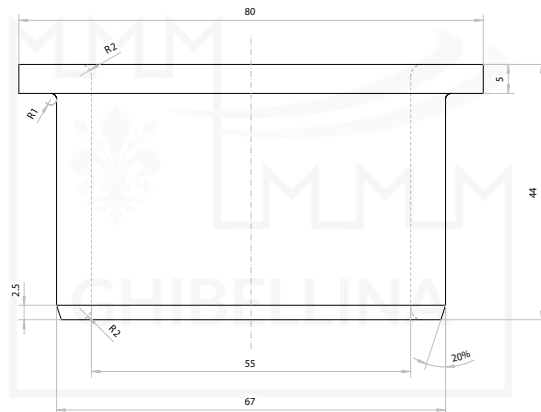
Article

BUSH FOR PUSH BUTTON

Code

A5.2.3.a

Group

Primary suspensionMaterial
C55EWeight
0.25 Kg

Drawing available on request





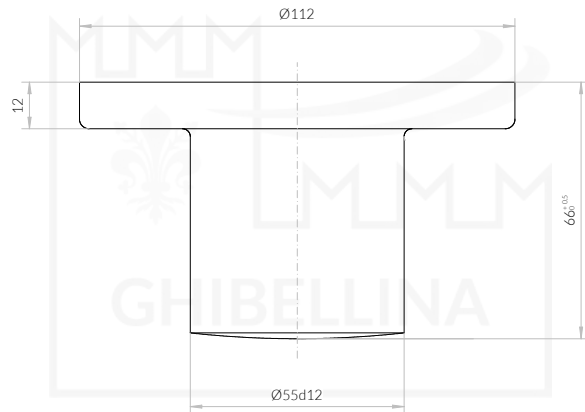
Article

PUSH BOTTON

Code

A5.2.3.b.

Group

Primary suspensionMaterial
16MnCr5Weight
1.9 Kg

Drawing available on request





Article

PUSH BUTTON FOR BOGIE WITH MN PLATE

Code

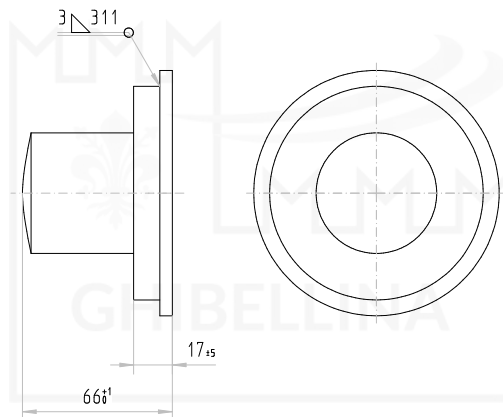
A5.2.3.b.1

Group

Primary suspension

Material
See drawing

Weight
2 Kg



Drawing available on request





Article

HELICOIDAL SPRINGS BOGIE Y25

Code

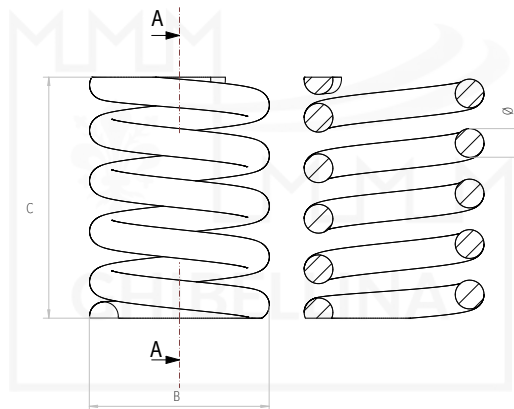
A4.1.1.*

Group

Suspension

Material
See drawing

Weight
See drawing



Drawing available on request



ARTICLE

A4.1.1.1.2

A4.1.1.1.1

A4.1.1.2.2

A4.1.1.2.1

PAYLOAD

20 t

20 t

22.5 t

22.5 t

TYPE

Outer

Inner

Outer

Inner



Article

HELICOIDAL SPRINGS BOGIE MD

Code

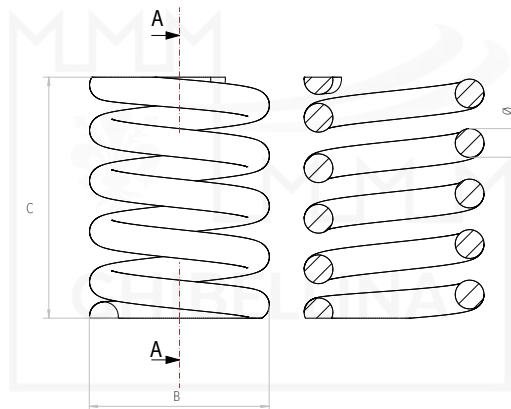
A4.*

Group

Suspension

Material
See drawing

Weight
See drawing



Drawing available on request



ARTICLE

- A4.1.1.6.2
- A4.1.1.6.1
- A4.2.1.2.2
- A4.2.1.2.1
- A4.1.1.6.2
- A4.1.1.6.1
- A4.1.1.8.2
- A4.1.1.8.1

SUSPENSION

- Primaria
- Primaria
- Secondaria
- Secondaria
- Primaria
- Primaria
- Primaria
- Primaria

BOGIE

- MD1
- MD1
- MD1
- MD1
- MD2
- MD2
- MD36
- MD36

TYPE

- Outer
- Inner
- Outer
- Inner
- Outer
- Inner
- Outer
- Inner



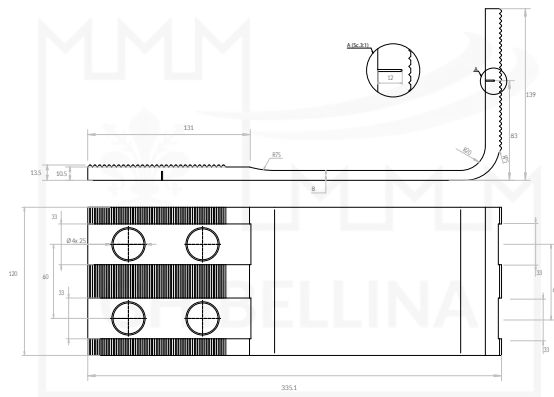
Article

ANGLE GUIDE PRIMARY SUSP. MD

Code

A4.1.1.8.3

Group

Primary suspensionMaterial
50CrV4Weight
3.9 kg

Drawing available on request





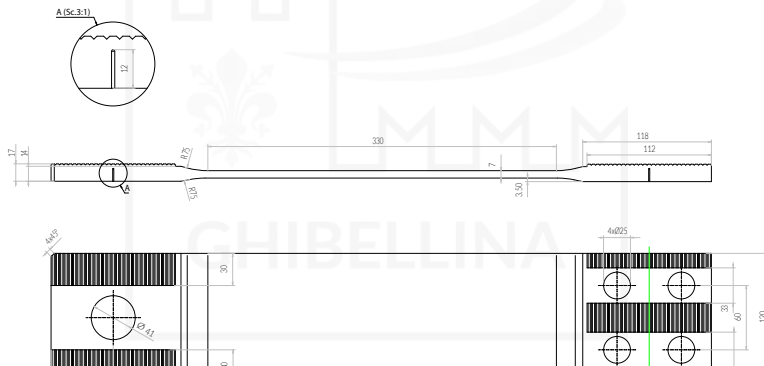
Article

STRAIGHT GUIDE PRIMARY SUSP. MD

Code

A4.1.1.8.4

Group

Primary suspensionMaterial
50CrV4Weight
5.6 kg

Drawing available on request





Article

SPRINGS PRIMARY SUSP. BOGIE Y32

Code

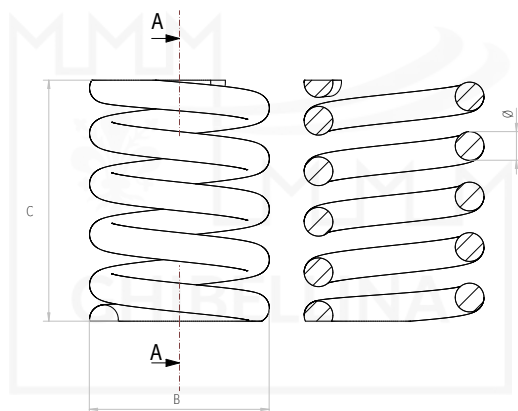
A4.1.1.9.*

Group

Suspension

Material
See drawing

Weight
See drawing



Drawing available on request



ARTICLE

A4.1.1.9.2

A4.1.1.9.1

TYPE

Outer

Inner



Article

SPRINGS SECONDARY SUSP. BOGIE Y32

Code

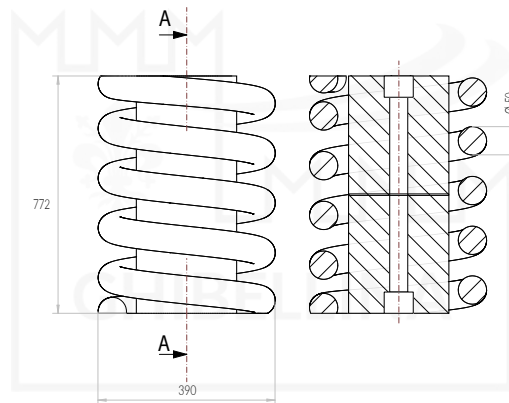
A4.2.1.5.*

Group

Secondary suspension

Material
See drawing

Weight
See drawing



Drawing available on request



ARTICLE

A4.2.1.5.1

A4.2.1.5.1.1

A4.2.1.5.2

A4.2.1.5.2.2

VARIANT BOGIE

Y32

Y32RS

Y32

Y32RS

TYPE

Dx

Dx

Sx

Sx



Article

AXLE SPRING CHEVRON

Code

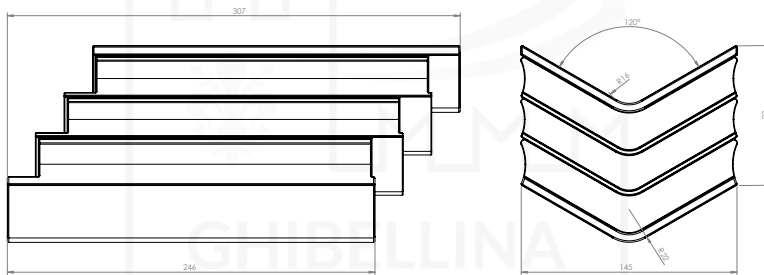
A4.1.3.1

Group

Primary suspension

Material
See drawing

Weight
9 kg



Drawing available on request





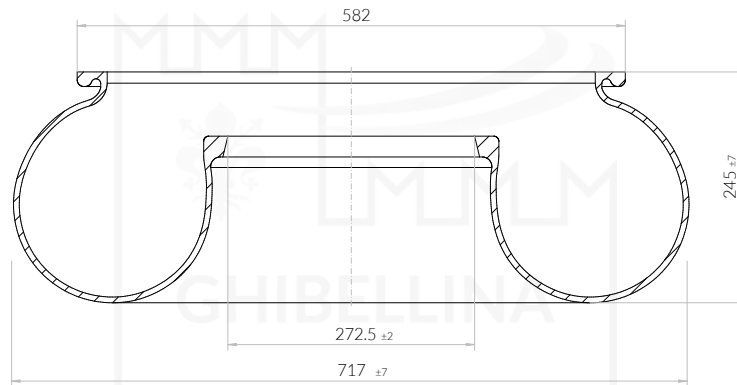
Article

AIR CUSHION FOR SUSPENSION

Code

A4.2.3.1.1

Group

Secondary suspensionMaterial
See drawingWeight
10.5

Drawing available on request





GHIBELLINA CAN OFFER ANY TYPE OF
HELICOIDAL SPRING AND SUSPENSION
UNDER CUSTOMER'S REQUEST AND/OR DRAWING.





GHIBELLINA CAN OFFER ANY TYPE OF
WEAR PLATES MADE OF MANGANESE OR OTHER MATERIALS
UNDER CUSTOMER'S REQUEST AND/OR DRAWING.



SIDE BEARER

2024



Article

SIDE BEARER - LOWER PART

Code

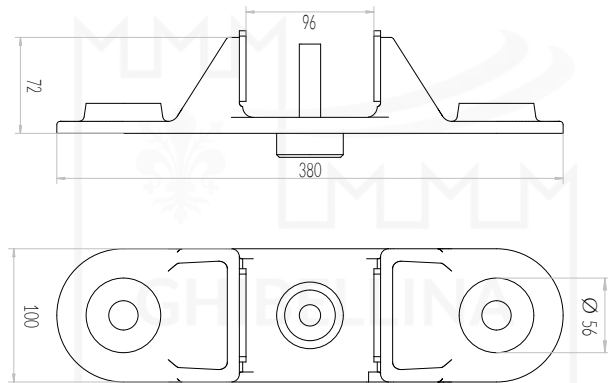
A4.2.2.1.1.1

Group

Side bearer

Material
See drawing

Weight
5.7 Kg



Drawing available on request





Article

SIDE BEARER - UPPER PART WITH PLATE

Code

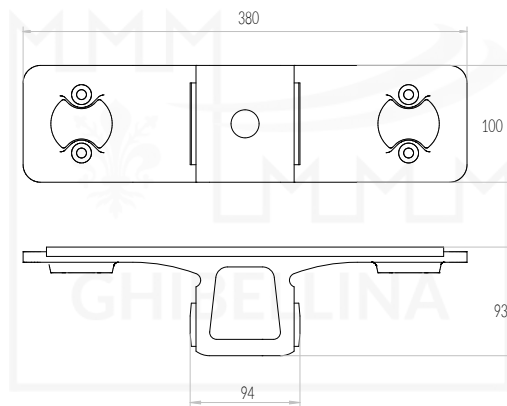
A4.2.2.1.1.3.1

Group

Side bearer

Material
See drawing

Weight
8.6 Kg



Drawing available on request





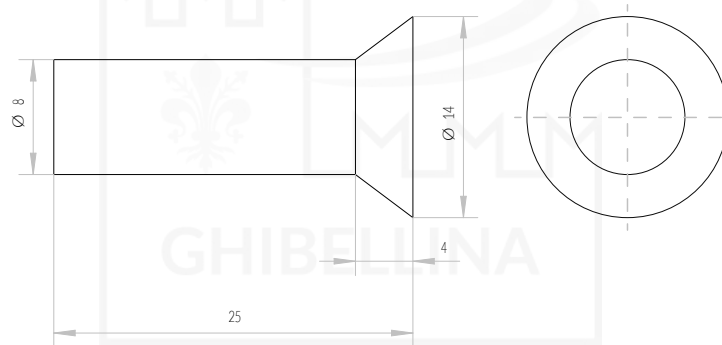
Article

SIDE BEARER - RIVET

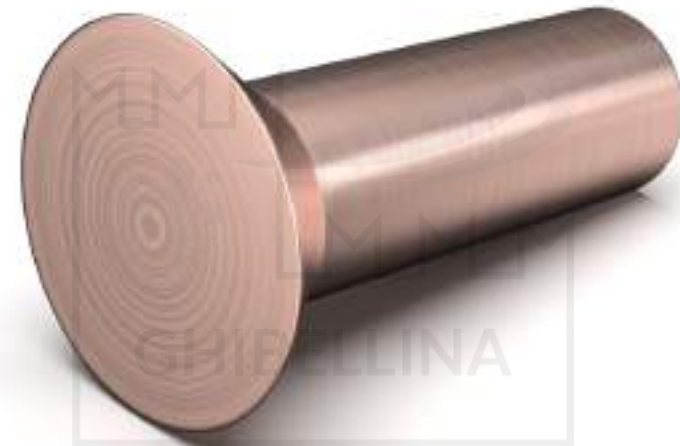
Code

A4.2.2.1.1.5

Group

Side bearerMaterial
See drawingWeight
0.05 Kg

Drawing available on request





Article

SIDE BEARER - SPRINGS

Code

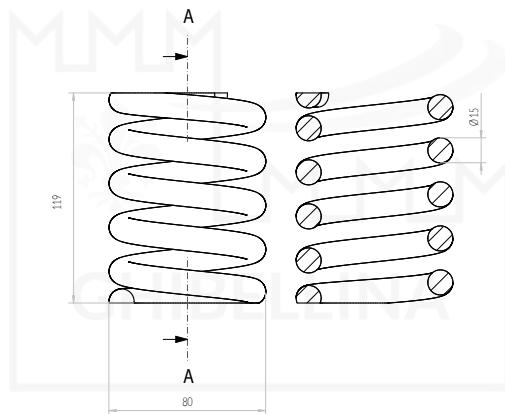
A4.2.2.1.1.6

Group

Side bearer

Material
51CrV4

Weight
1.5 Kg



Drawing available on request





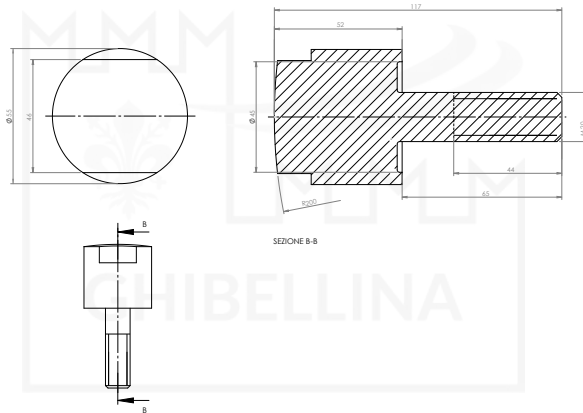
Article

SIDE BEARER - STOP

Code

A4.2.2.1.1.7

Group

Side bearerMaterial
C45EWeight
1.2 Kg

Drawing available on request



PIVOT

2024



Article

PIVOT - LOWER PART

Code

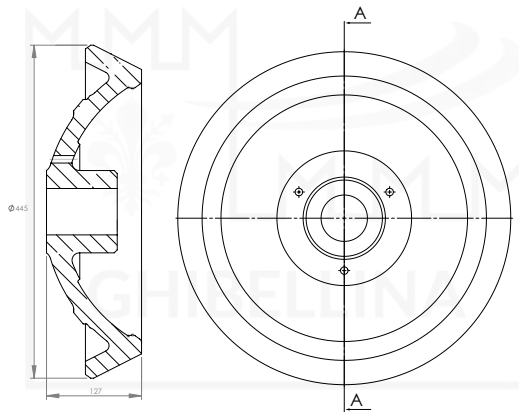
A5.3.1.1

Group

Pivot

Material
S355J2+N

Weight
43.35 Kg



Drawing available on request





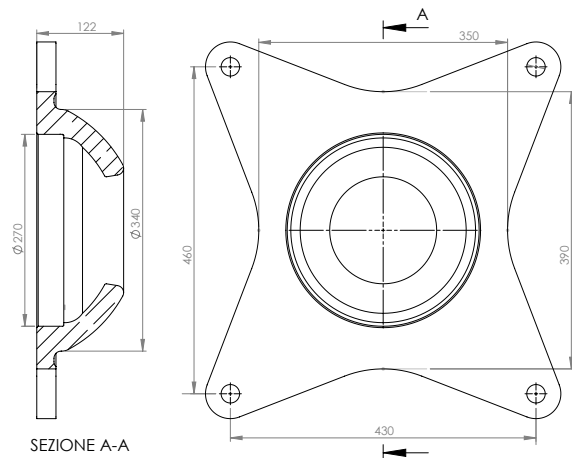
Article

PIVOT - UPPER PART

Code

A5.3.1.2

Group

PivotMaterial
S355J2+NWeight
48.4 Kg

Drawing available on request





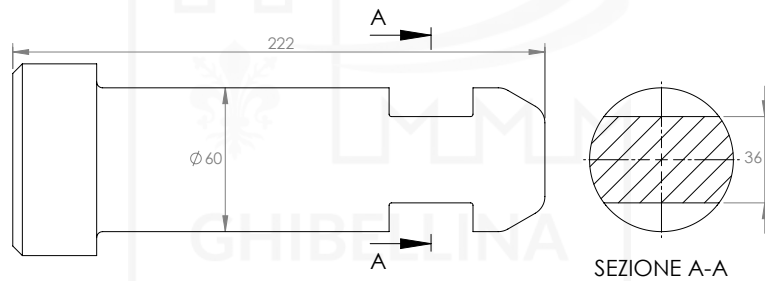
Article

PIVOT - PIN

Code

A5.3.1.3

Group

PivotMaterial
St6Weight
5.3 Kg

Drawing available on request





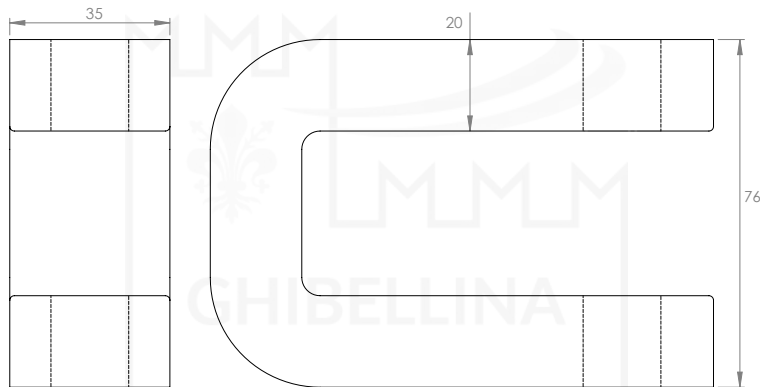
Article

PIVOT - CLEVIS

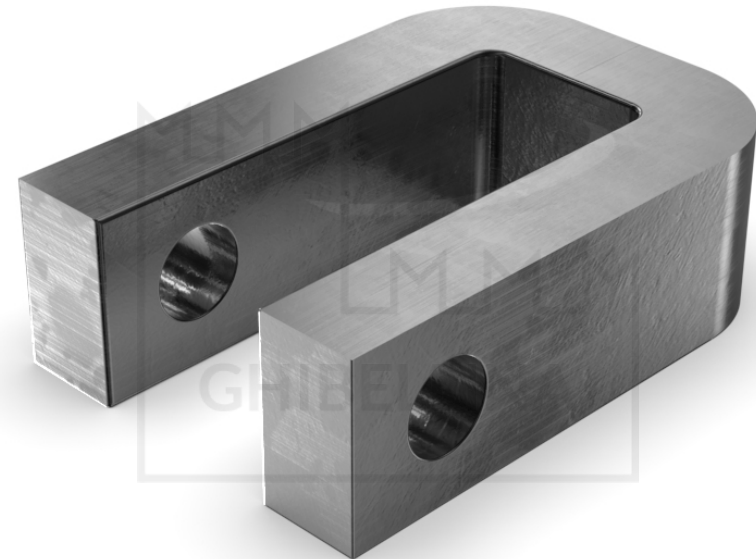
Code

A5.3.1.4

Group

PivotMaterial
Fe510CWeight
1.2 Kg

Drawing available on request





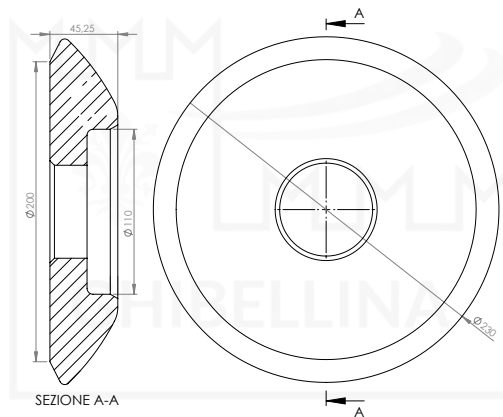
Article

PIVOT - COUNTERSUPPORT

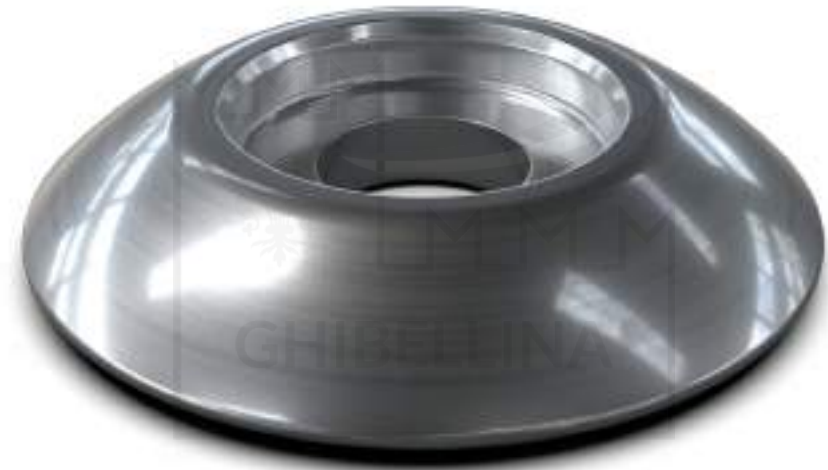
Code

A5.3.1.5

Group

PivotMaterial
S355J2Weight
8.85 Kg

Drawing available on request





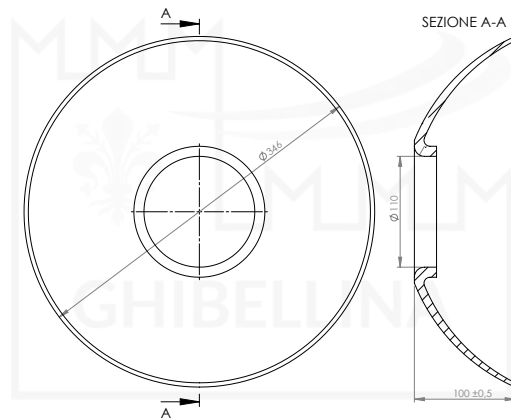
Article

PIVOT - LINER 110

Code

A5.3.1.6.1

Group

PivotMaterial
PAS-60XWeight
0.9 Kg

Drawing available on request





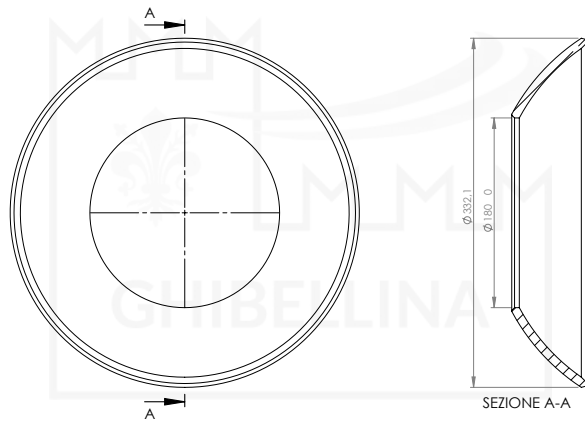
Article

PIVOT - LINER 180

Code

A5.3.1.6.2

Group

PivotMaterial
PAS-60XWeight
1.2 Kg

Drawing available on request





Article

PIVOT - DUST GASKET

Code

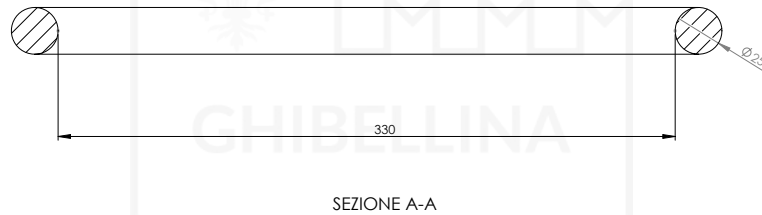
A5.3.1.7

Group

Pivot

Material
See drawing

Weight
0.8 Kg



Drawing available on request



BRAKE RIGGING

2024



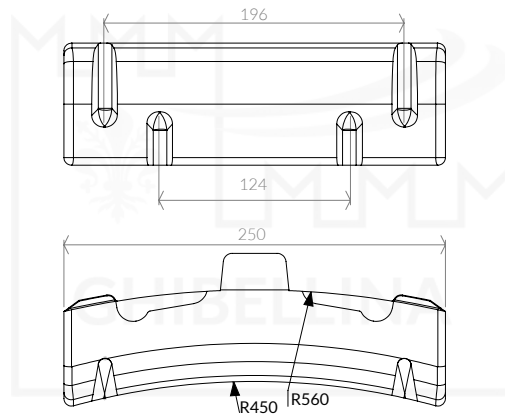
Article

CAST IRON BRAKESHOE P10 250

Code

A6.1.1.1

Group

Brake riggingMaterial
P10Weight
7.4 kg

Drawing available on request





Article

COMPOSITE BRAKESHOE LL 250

Code

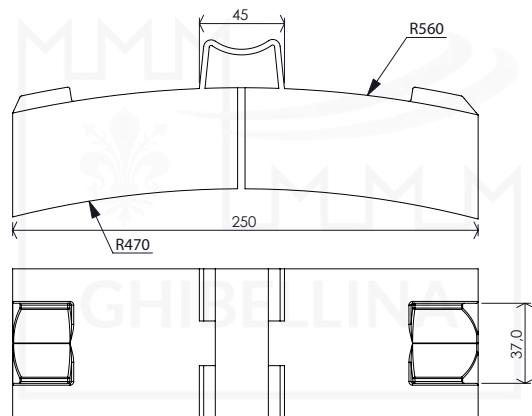
A6.1.1.*

Group

Brake rigging

Material
Composite

Weight
See drawing



Drawing available on request





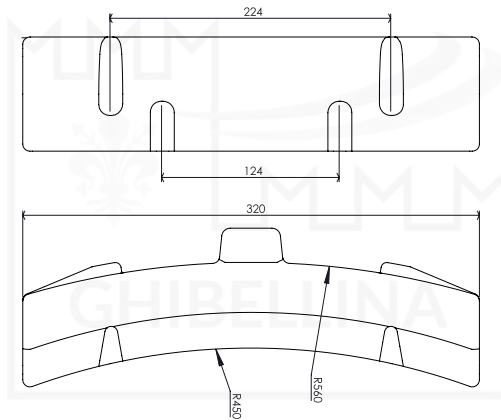
Article

CAST IRON BRAKESHOE P10 320

Code

A6.1.2.1

Group

Brake riggingMaterial
P10Weight
10 kg

Drawing available on request





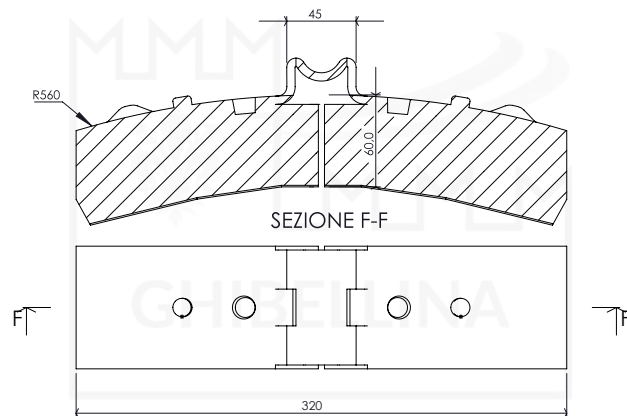
Article

COMPOSITE BRAKESHOE LL 320

Code

A6.1.2.*

Group

Brake riggingMaterial
CompositeWeight
See drawing



GHIBELLINA CAN OFFER ANY TYPE OF
BRAKESHOE MADE OF CAST IRON, COMPOSITE OR ORGANIC
UNDER CUSTOMER'S REQUEST AND/OR DRAWING.





Article

BRAKESHOE HOLDER Bg

Code

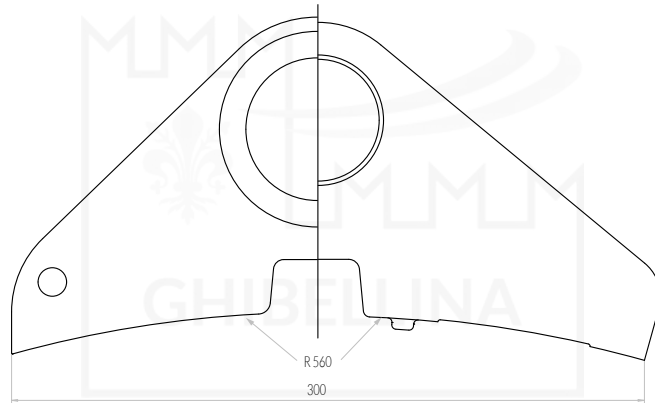
A6.2.1.*

Group

Brake rigging

Material
EN-GJS-400-18-LT

Weight
5.3 kg



Drawing available on request



ARTICLE

A6.2.1.5

A6.2.1.6

REMARKS

For cast iron brakeshoe

For composite brakeshoe



Article

BRAKESHOE HOLDER Bgu

Code

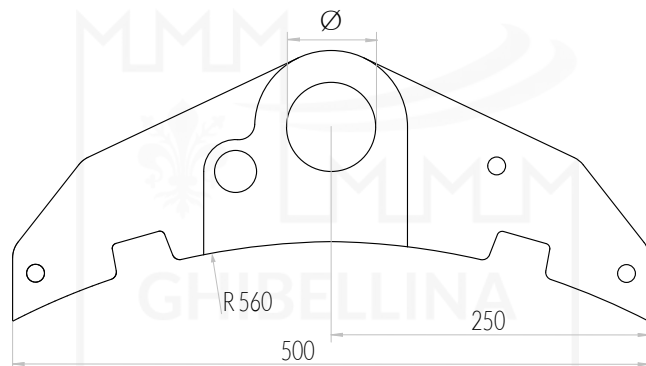
A6.2.2.1.*

Group

Brake rigging

Material
EN-GJS-400-18-LT

Weight
9 kg



Drawing available on request



ARTICLE

A6.2.2.1.1

A6.2.2.1.2

DIAMETER (Ø)

70 mm

85 mm



GHIBELLINA CAN OFFER ANY TYPE OF
**BRAKESHOE HOLDER FOR BRAKESHOES MADE OF CAST IRON,
COMPOSITE OR ORGANIC**
UNDER CUSTOMER'S REQUEST AND/OR DRAWING.





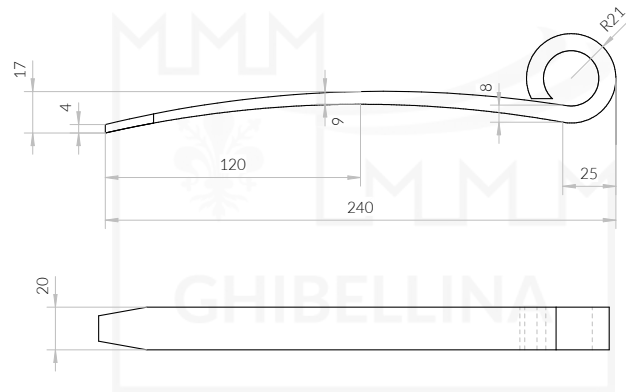
Article

WEDGE FOR SINGLE BRAKESHOE HOLDER

Code

A6.3.1.2.2

Group

Brake riggingMaterial
AISI9255Q+TWeight
0.3 kg

Drawing available on request



OTHER VARIANTS ARE AVAILABLE ON CUSTOMER REQUEST



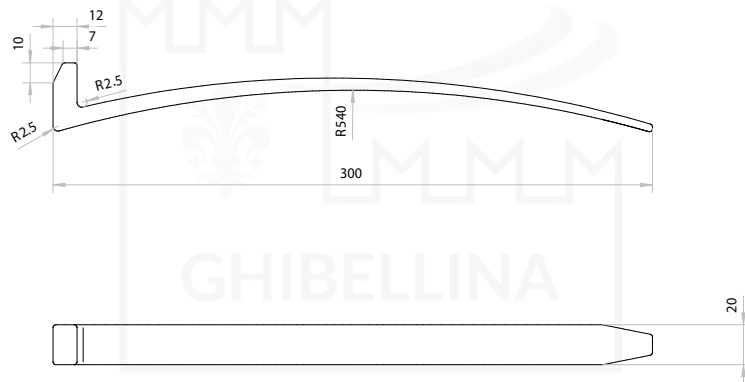
Article

WEDGE FOR DOUBLE BRAKESHOE HOLDER

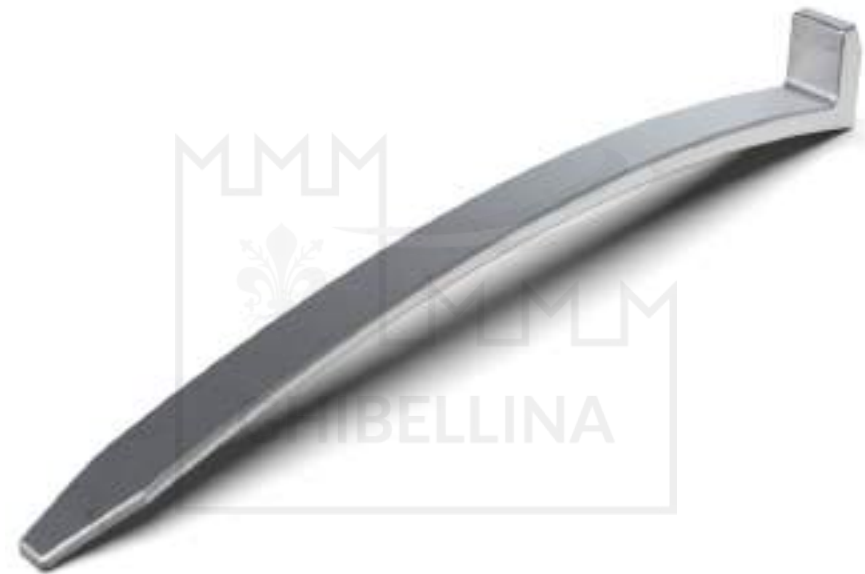
Code

A6.3.1.2.3

Group

Brake riggingMaterial
60SiCr7Weight
0.3 kg

Drawing available on request



OTHER VARIANTS ARE AVAILABLE ON CUSTOMER REQUEST



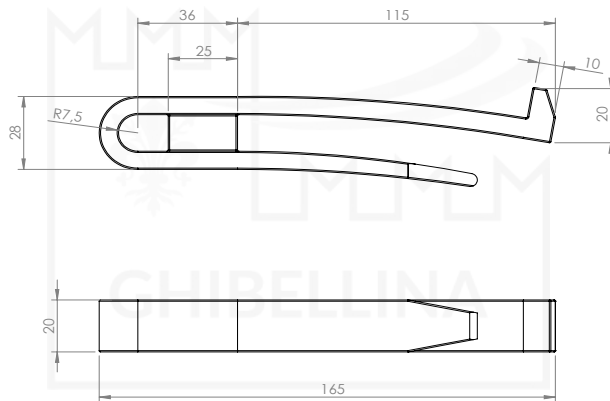
Article

FOLDED WEDGE

Code

A6.3.1.2.8

Group

Brake riggingMaterial
See drawingWeight
See drawing

Drawing available on request





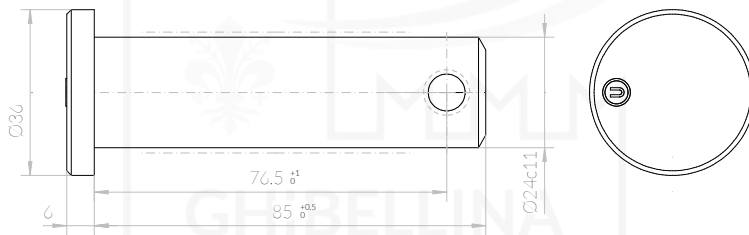
Article

PIN FOR BRAKESHOE HOLDER

Code

A6.10.1

Group

Brake riggingMaterial
C55R+NWeight
0.3 kg

Drawing available on request





Article

HANGER

Code

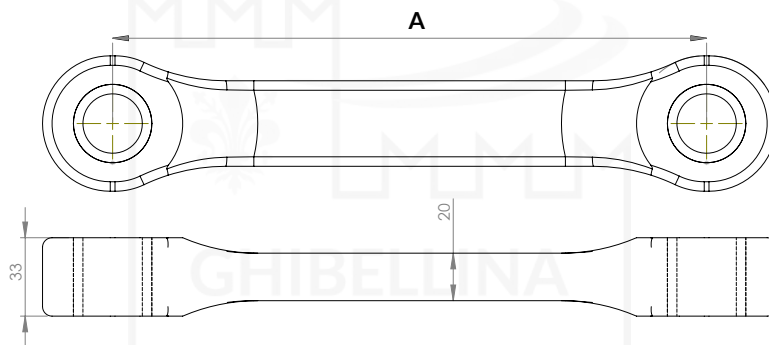
A6.4.*

Group

Brake rigging

Material
See drawing

Weight
See table



Drawing available on request



ARTICLE

A

WEIGHT

A6.4.1

225 mm

1.7 kg

A6.4.2

240 mm

2.0 kg

A6.4.3

250 mm

2.3 kg



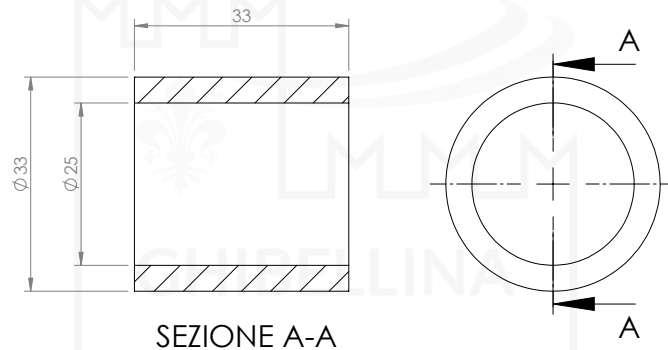
Article

HANGER AXLEBOX

Code

A6.4.a.1

Group

Brake riggingMaterial
See drawingWeight
See drawing

Drawing available on request





Article

BRAKE TRIANGLE 60KN INNER LINK

Code

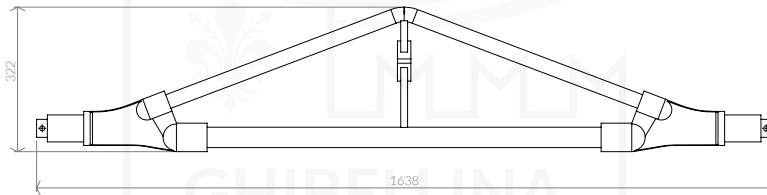
A6.5.1.1

Group

Brake rigging

Material
See drawing

Weight
35 Kg



Drawing available on request





Article

BRAKE TRIANGLE 60KN OUTER LINK

Code

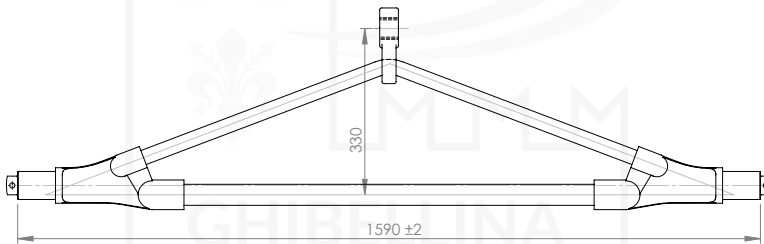
A6.5.1.2

Group

Brake rigging

Material
See drawing

Weight
35 Kg



Drawing available on request





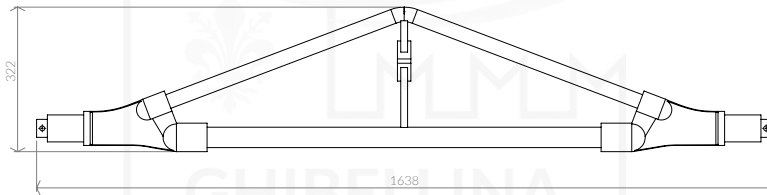
Article

BRAKE TRIANGLE 120KN

Code

A6.5.2.1

Group

Brake riggingMaterial
See drawingWeight
35 Kg

Drawing available on request





Article

BRAKE LEVER

Code

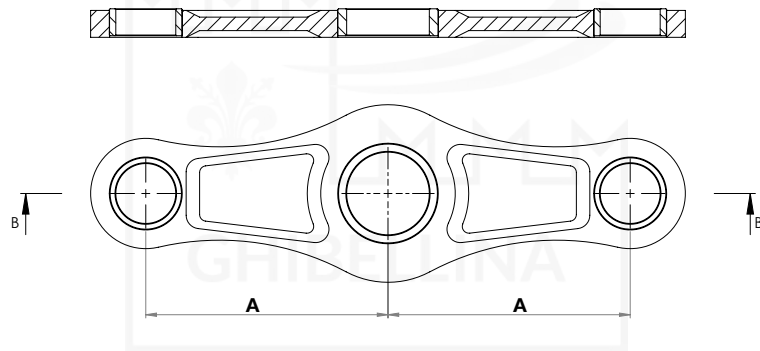
A6.6.*

Group

Brake rigging

Material
See drawing

Weight
4.3 Kg



Drawing available on request



ARTICLE

A

A6.6.1

150 mm

A6.6.2

180 mm



Article

BRAKE LEVER S SUPPORT 175/65

Code

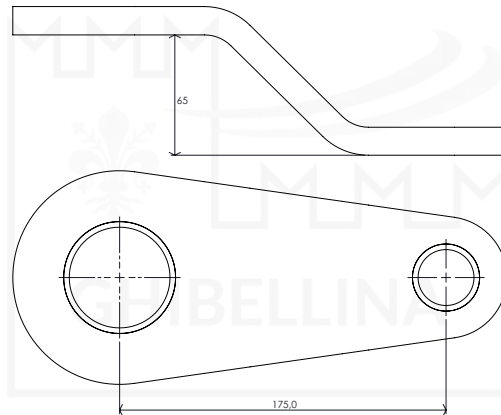
A6.6.3.1

Group

Brake rigging

Material
See drawing

Weight
2.7 Kg



Drawing available on request





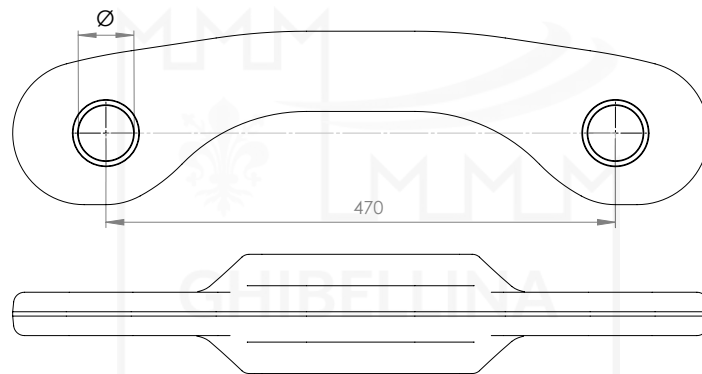
Article

CONNECTOR 470

Code

A6.7.2.1.*

Group

Brake riggingMaterial
See drawingWeight
21 kg

Drawing available on request



ARTICLE

A6.7.2.1.1**A6.7.2.1.2**

DIAMETER (Ø)

51 mm**61 mm**



Article

CONNECTOR 470 WITH HUMP

Code

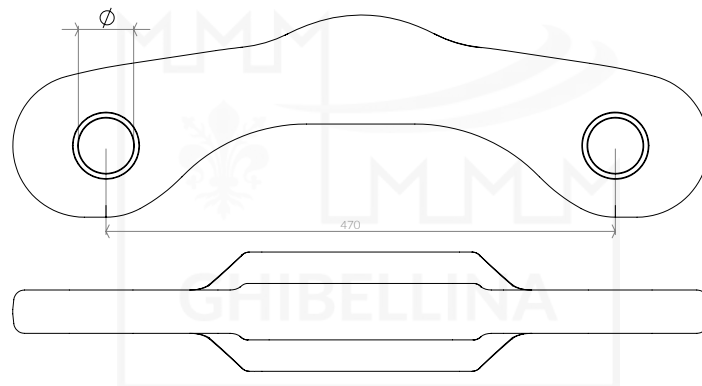
A6.7.2.2.*

Group

Brake rigging

Material
See drawing

Weight
28 kg



Drawing available on request



ARTICLE

A6.7.2.2.1

A6.7.2.2.2

DIAMETER (Ø)

51 mm

61 mm



Article

SLACK ADJUSTER DRV 2A

Code

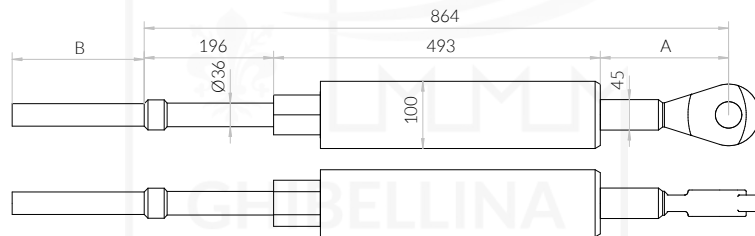
A6.8.1.1.*

Group

Brake rigging

Material
See drawing

Weight
20 kg



Drawing available on request



ARTICLE

MODEL

B

A6.8.1.1.2

DRV 2A 450

450 mm

A6.8.1.1.3

DRV 2A 600

600 mm



Article

SLACK ADJUSTER EYELET

Code

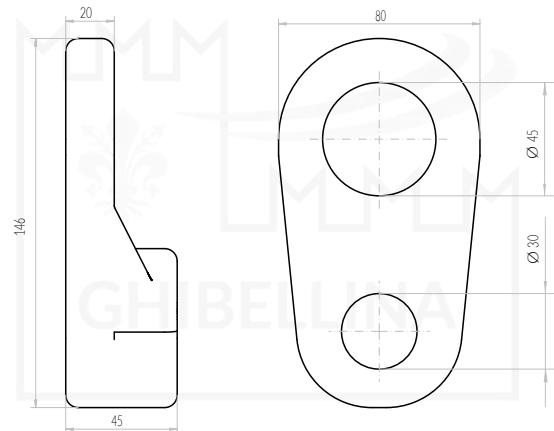
A6.8.1.a

Group

Brake rigging

Material
See drawing

Weight
5 kg



Drawing available on request





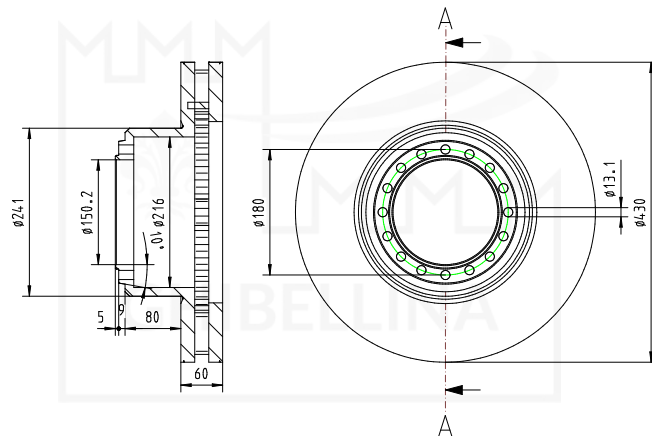
Article

VENTILATED BRAKE DISC

Code

A6.0.1.1

Group

Brake riggingMaterial
See drawingWeight
37 kg

Drawing available on request





GHIBELLINA CAN OFFER ANY TYPE OF
PIN FOR BRAKE RIGGING
UNDER CUSTOMER'S REQUEST AND/OR DRAWING.





GHIBELLINA CAN OFFER ANY VARIANT OF **HANDBRAKE CABLES FOR PASSENGER BOGIES**





GHIBELLINA CAN OFFER ANY TYPE AND VARIANT OF
BRAKE DISC
UNDER CUSTOMER'S REQUEST AND/OR DRAWING.



BRAKE DEVICES

2024



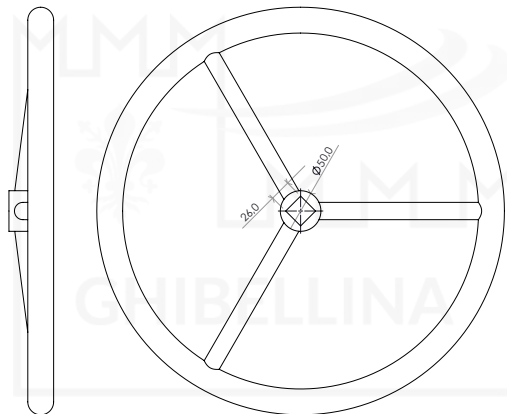
Article

HANDBRAKE WHEEL HOLE 26X26

Code

A7.5.1.1

Group

Brake devicesMaterial
See drawingWeight
3 kg

Drawing available on request



OTHER VARIANTS ARE AVAILABLE ON CUSTOMER REQUEST



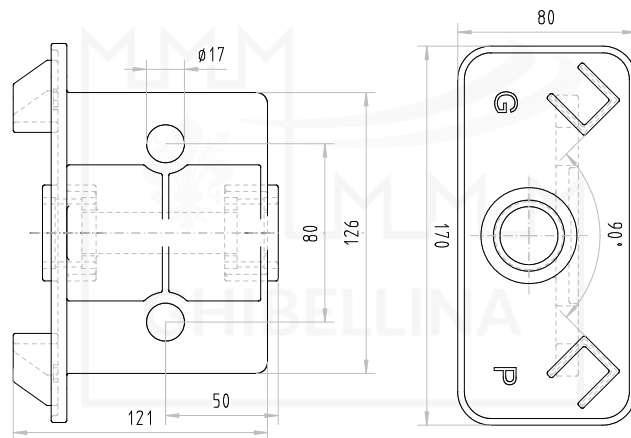
Article

PLATE G/P

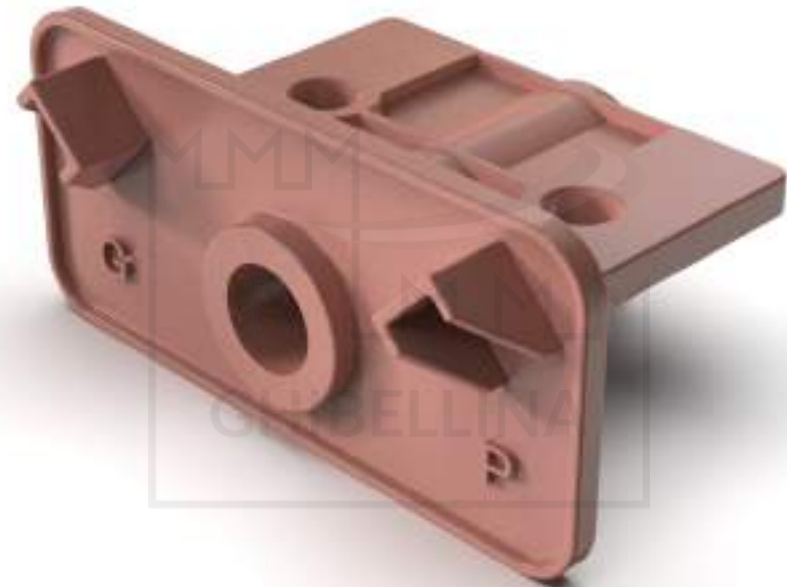
Code

A7.1.1

Group

Brake devicesMaterial
AISIWeight
See drawing

Drawing available on request





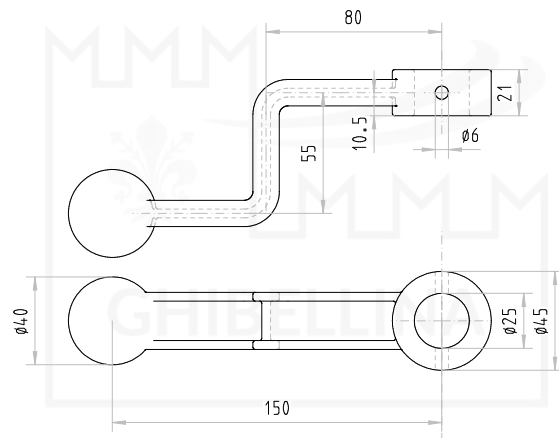
Article

LEVER G/P

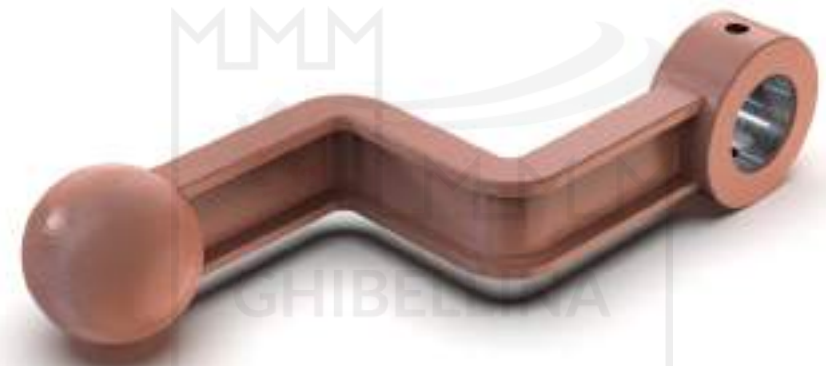
Code

A7.1.2

Group

Brake devicesMaterial
See drawingWeight
See drawing

Drawing available on request





Article

ISOLATION PLATE DX

Code

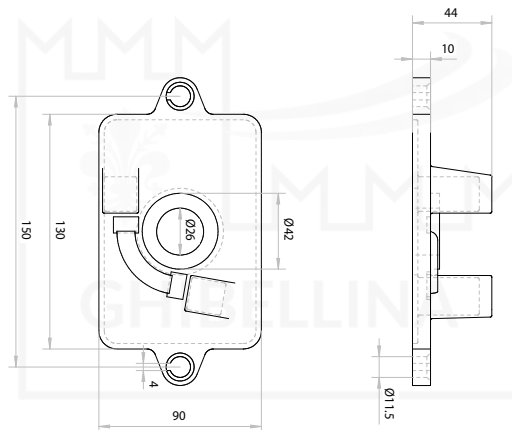
A7.2.1.1

Group

Brake devices

Material
AISI

Weight
See drawing



Drawing available on request





Article

ISOLATION PLATE SX

Code

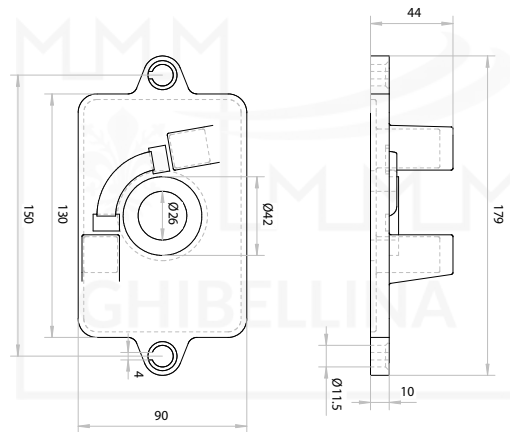
A7.2.1.2

Group

Brake devices

Material
AISI

Weight
See drawing



Drawing available on request





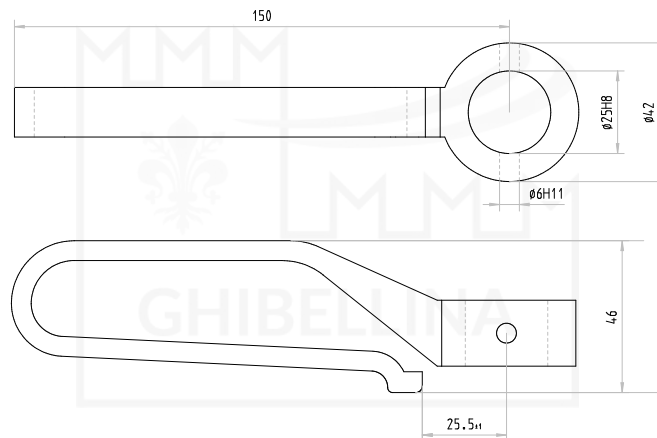
Article

ISOLATION LEVER

Code

A7.2.2

Group

Brake devicesMaterial
See drawingWeight
See drawing

Drawing available on request





Article

AUTOM HANDLE

Code

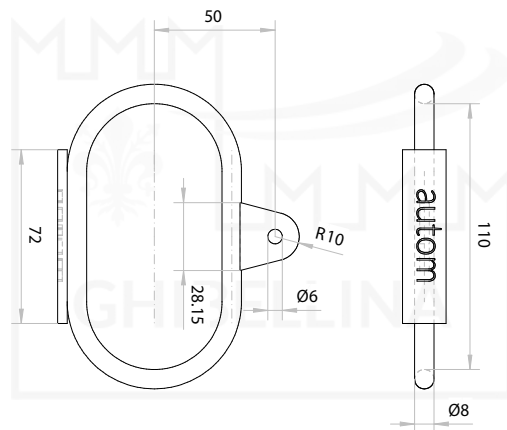
A7.3.1

Group

Brake devices

Material
S235JO

Weight
See drawing



Drawing available on request





Article

AUTOM HANDLE WITH BEAM

Code

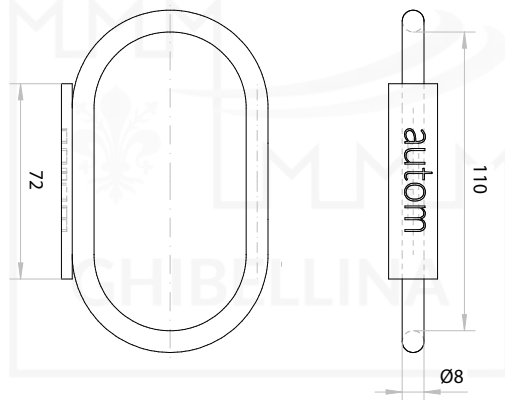
A7.3.1.1

Group

Brake devices

Material
S235JO

Weight
See drawing



Drawing available on request





Article

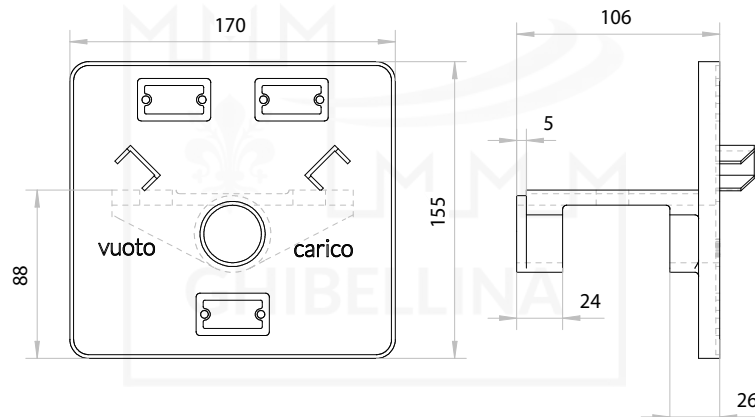
EMPTY/LOAD PLATE

Code

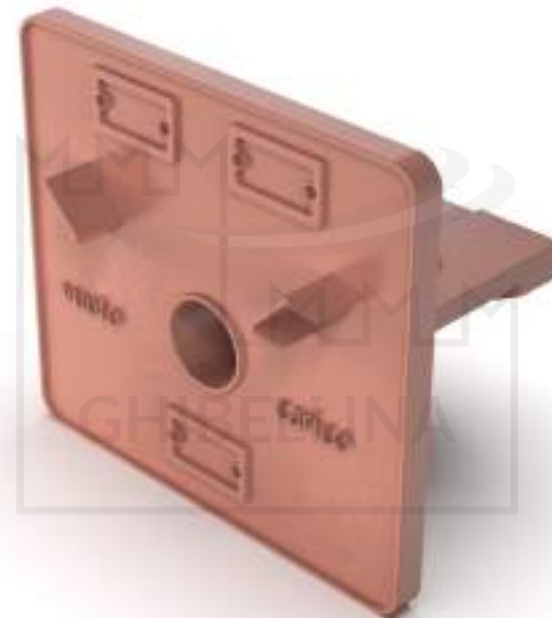
A7.4.1

Group

Brake devices

Material
AISIWeight
See drawing

Drawing available on request





Article

EMPTY/LOAD LEVER

Code

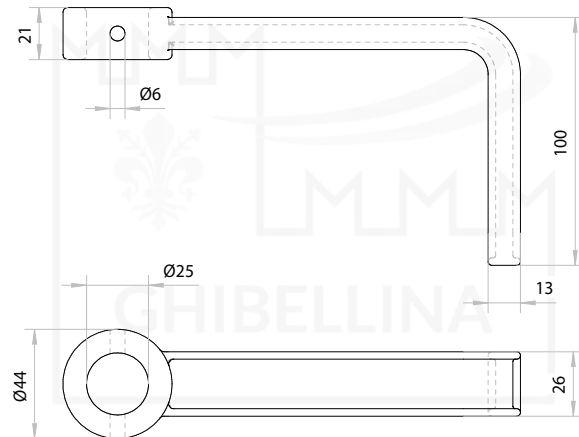
A7.4.2

Group

Brake devices

Material
See drawing

Weight
See drawing



Drawing available on request





Article

TOOTHED WHEEL

Code

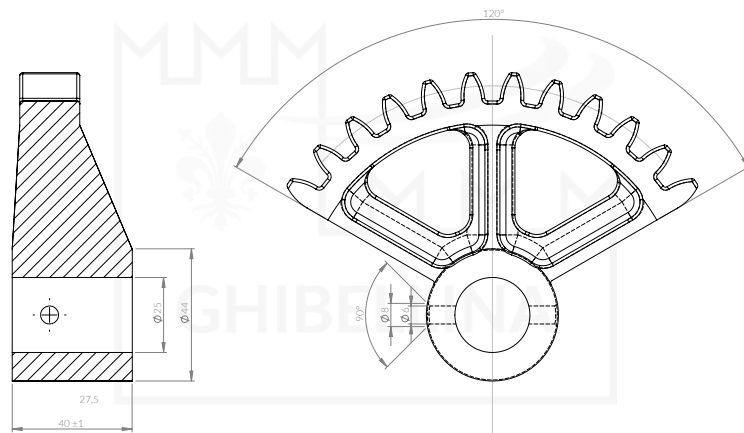
A7.6.1

Group

Brake devices

Material
EN-GJL-200

Weight
See drawing



Drawing available on request





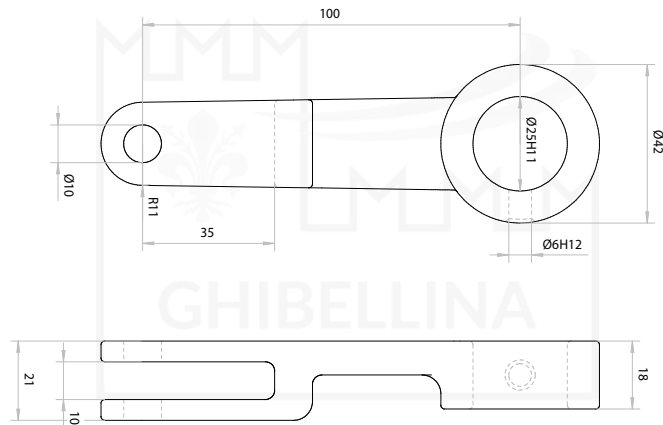
Article

CONNECTION LEVER

Code

A7.6.2

Group

Brake devicesMaterial
See drawingWeight
See drawing

Drawing available on request





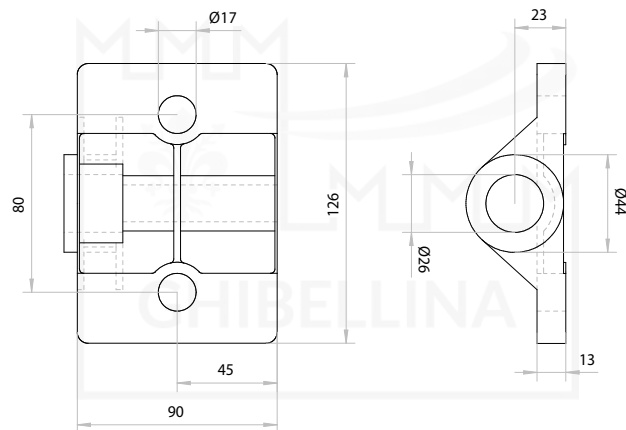
Article

INVERTER BRACKET

Code

A7.6.3

Group

Brake devicesMaterial
AISIWeight
See drawing

Drawing available on request



BRAKE PNEUMATIC PARTS 2024



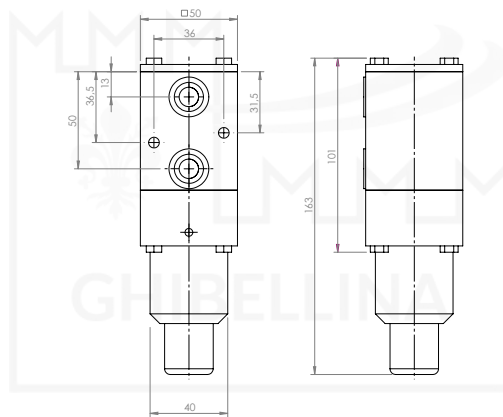
Article

PRESSURE REGULATOR LDR 150 5 BAR

Code

A8.0.2.1.1

Group

Brake pneumatic partsMaterial
See drawingWeight
1 kg

Drawing available on request





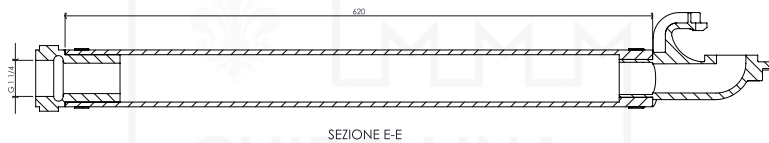
Article

HALFCOUPLER L=620 RED

Code

A8.1.1.1.1

Group

Brake pneumatic partsMaterial
See drawingWeight
3 kg

Drawing available on request





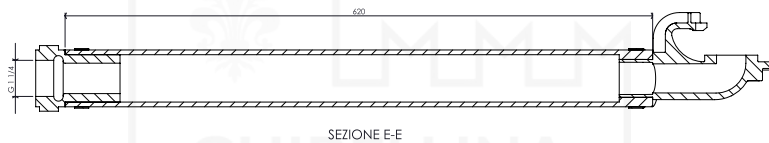
Article

HALFCOUPLER L=620 YELLOW

Code

A8.1.1.1.2

Group

Brake pneumatic partsMaterial
See drawingWeight
3 kg

Drawing available on request





Article

HALFCOUPLER HEAD

Code

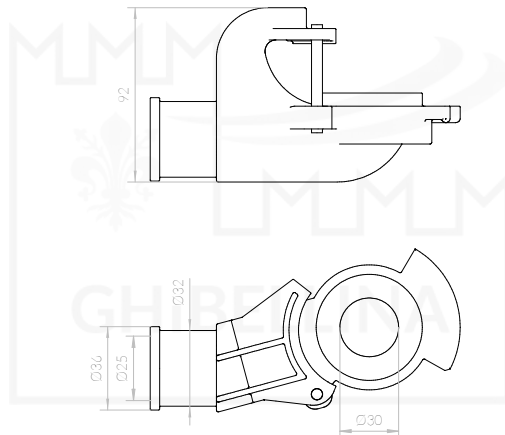
A8.1.1.a.1

Group

Brake pneumatic parts

Material
EN-GJS-400-15

Weight
1.1 kg



Drawing available on request





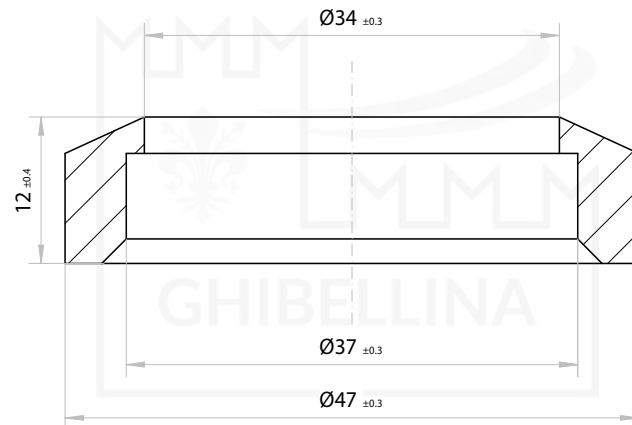
Article

HALFCOUPLER HEAD GASKET

Code

A8.1.1.a.a

Group

Brake pneumatic partsMaterial
C710Weight
See drawing

Drawing available on request





Article

HALFCOUPLER HOSE

Code

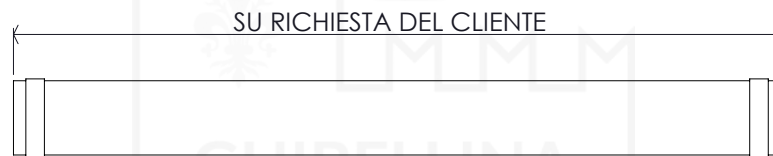
A8.1.1.b.0

Group

Brake pneumatic parts

Material
See drawing

Weight
See drawing



Drawing available on request





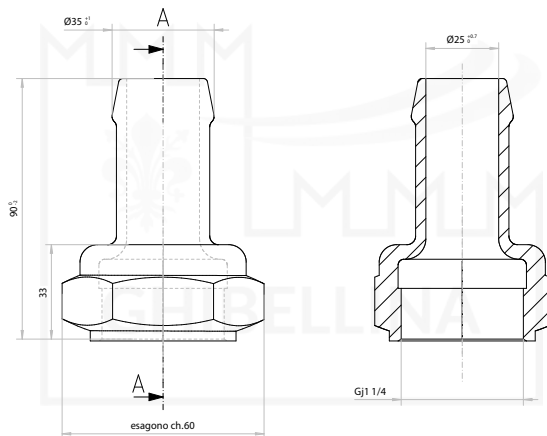
Article

HALFCOUPLER CONNECTION

Code

A8.1.1.c

Group

Brake pneumatic partsMaterial
See drawingWeight
See drawing

Drawing available on request





Article

END COCK DX UIC

Code

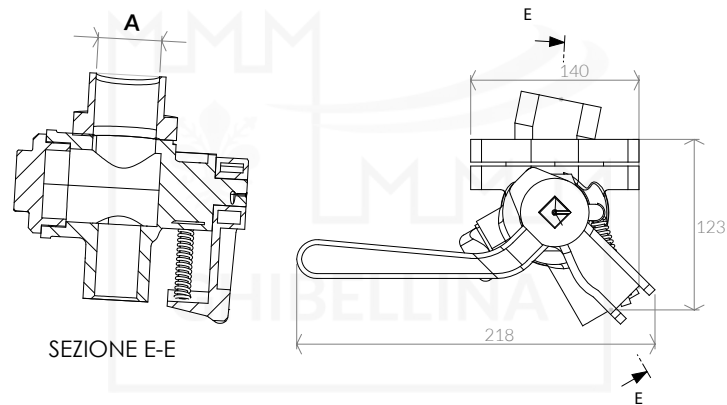
A8.2.*

Group

Brake pneumatic parts

Material
See drawing

Weight
3.2 kg



Drawing available on request



ARTICLE

A

A8.2.1.1.1

1"

A8.2.2.1.1

1" 1/4



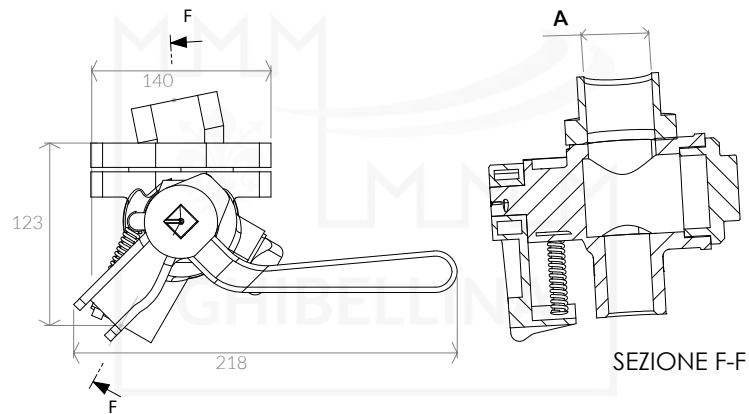
Article

END COCK SX UIC

Code

A8.2.*

Group

Brake pneumatic partsMaterial
See drawingWeight
3.2 kg

Drawing available on request



ARTICLE

A8.2.1.1.2**A8.2.2.1.2**

A

1"**1" 1/4**



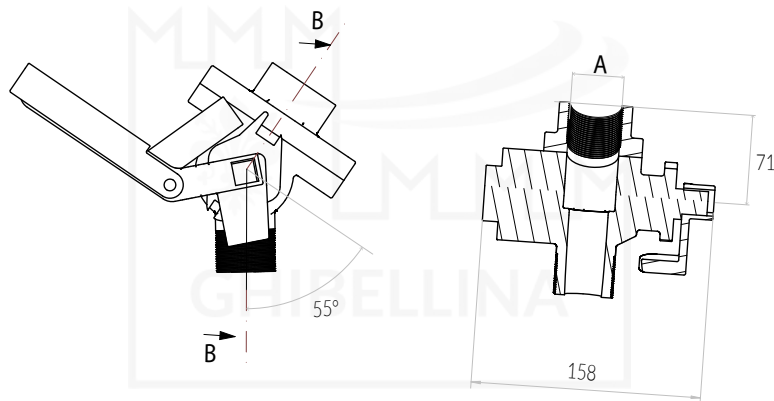
Article

END COCK DX

Code

A8.2.*

Group

Brake pneumatic partsMaterial
See drawingWeight
3.2 kg

Drawing available on request



ARTICLE

A8.2.1.2.1**A8.2.2.2.1**

A

1"**1" 1/4**



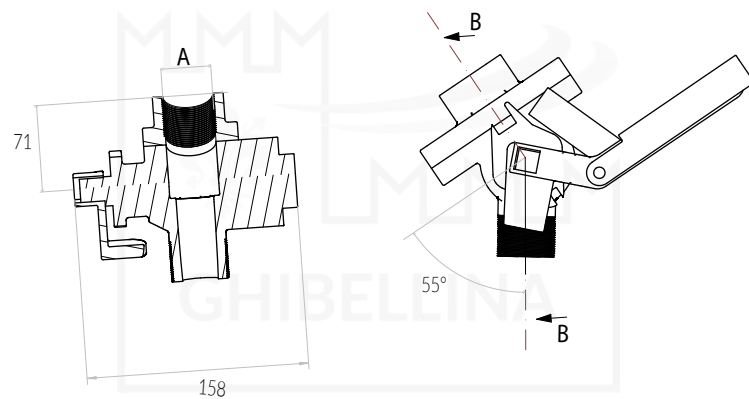
Article

END COCK SX

Code

A8.2.*

Group

Brake pneumatic partsMaterial
See drawingWeight
3.2 kg

Drawing available on request



ARTICLE

A8.2.1.2.2**A8.2.2.2.2**

A

1"**1" 1/4**



Article

FRINGE FOR END COCK

Code

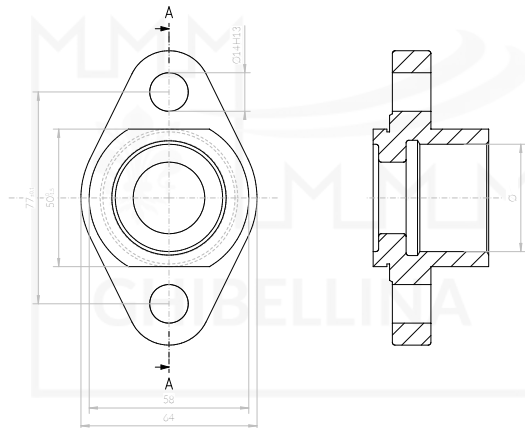
A8.2.*

Group

Brake pneumatic parts

Material
GS 370-17

Weight
See drawing



Drawing available on request



ARTICLE

Ø

A8.2.1.a

1"

A8.2.2.a

1" 1/4



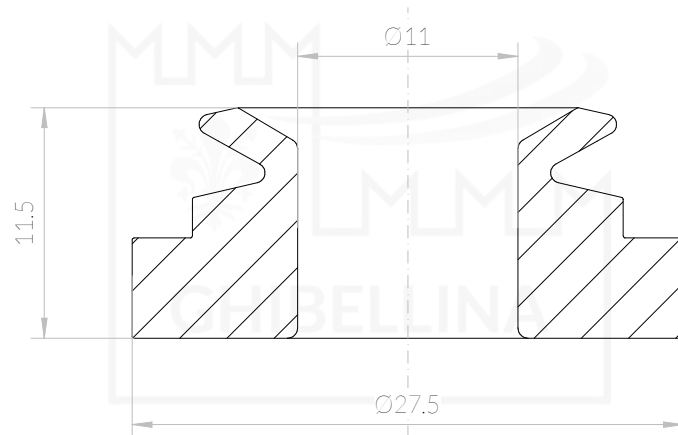
Article

END COCK SEAL GASKET

Code

A8.2.1.c

Group

Brake pneumatic partsMaterial
See drawingWeight
See drawing

Drawing available on request





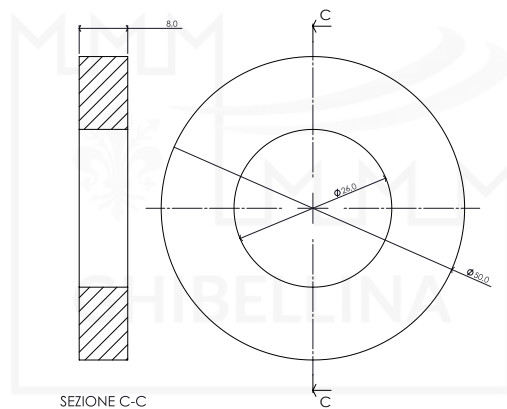
Article

END COCK GASKET 26X50X8

Code

A8.2.1.d

Group

Brake pneumatic partsMaterial
SBR NBRWeight
0.04 kg

Drawing available on request





Article

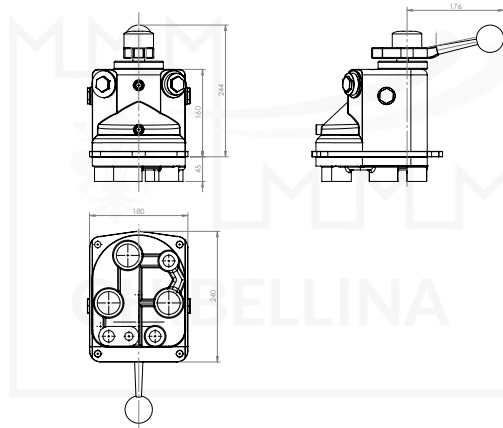
COCK FV4A-05 (VAR. FAUR FV4AH14E1)

Code

A8.3.1.3.1.1

Group

Brake pneumatic parts

Material
See drawingWeight
See drawing

Drawing available on request





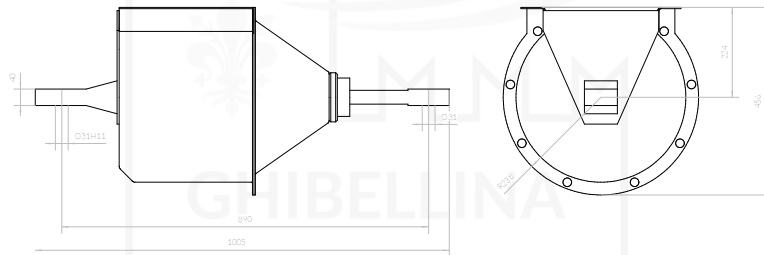
Article

BRAKE CYLINDER

Code

A8.6.5

Group

Brake pneumatic partsMaterial
See drawingWeight
82 kg

Drawing available on request





Article

BRAKE CYLINDER GASKET

Code

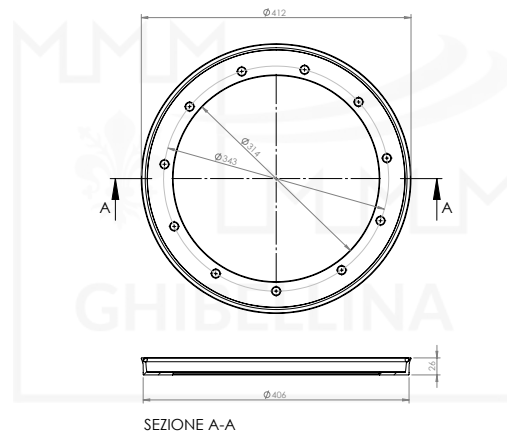
A8.6.5.1

Group

Brake pneumatic parts

Material
See drawing

Weight
See drawing



SEZIONE A-A

Drawing available on request





GHIBELLINA CAN OFFER ANY VARIANT OF
**DRIVER'S BRAKE VALVES, BRAKE DISTRIBUTORS AND
ISOLATION VALVES, WEIGHING VALVES, EMPTY/LOAD
VALVES**

AND OTHER BRAKE CONTROL PRODUCTS.





GHIBELLINA CAN OFFER ANY TYPE OF
AIR TANK
UNDER CUSTOMER'S REQUEST AND/OR DRAWING.



SHOCK ABSORBERS 2024



Article

SHOCK ABSORBERS

Code

A10.*

Group

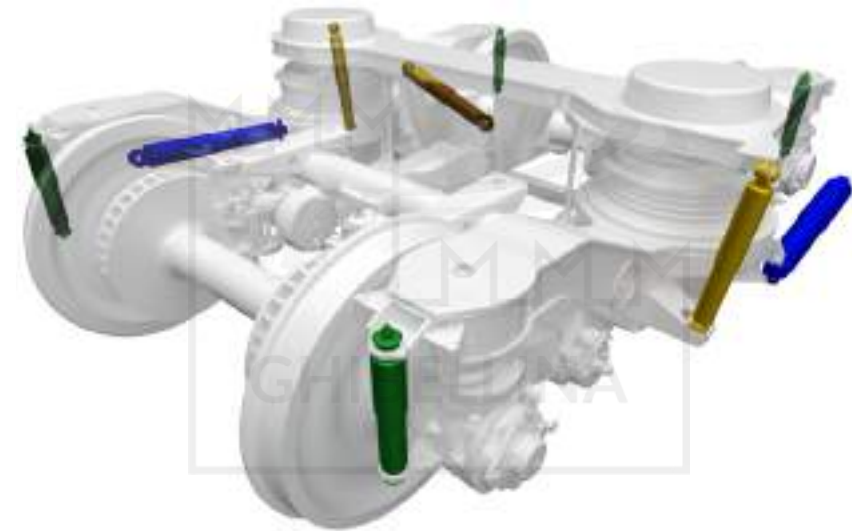
Shock absorbers

Material
See drawing

Weight
See drawing



Drawing available on request



ARTICLE

A10.1.1

A10.2.1.1

A10.2.2.1

A10.3.1

SUSPENSION

Primary vertical

Secondary vertical

Secondary lateral

Anti-yaw damper

SUPERSTRUCTURES 2024



Article

CABLE HOOK

Code

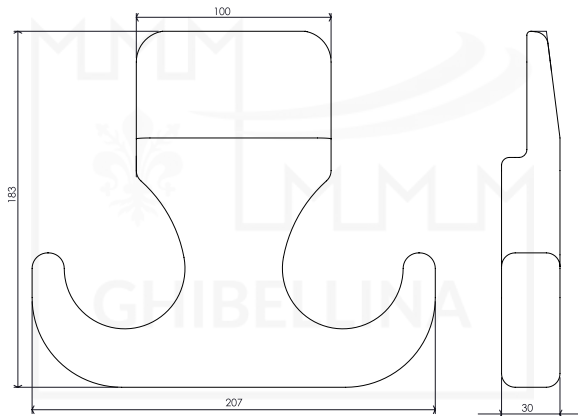
A11.1.1

Group

Superstructures

Material
S355J2G3

Weight
4 kg



Drawing available on request





Article

DOCUMENT HOLDER

Code

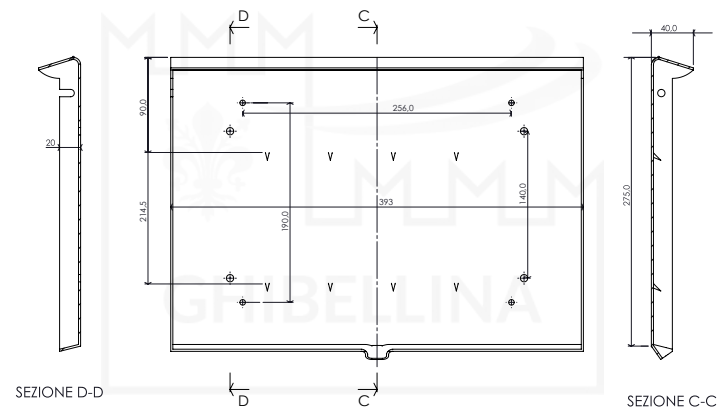
A11.1.2

Group

Superstructures

Material
See drawing

Weight
1 kg



Drawing available on request





Article

LATERAL PIVOTING STAND UIC

Code

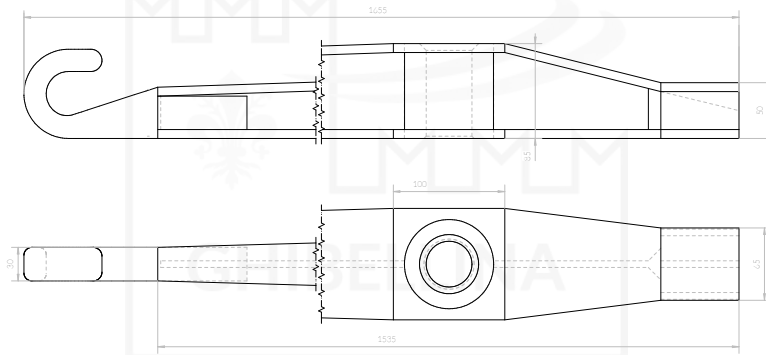
A11.1.3

Group

Superstructures

Material
See drawing

Weight
See drawing



Drawing available on request





Article

SLIDING STAND UIC

Code

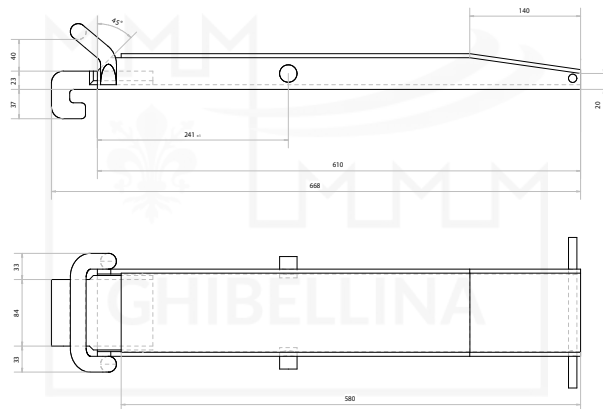
A11.1.3.2.1

Group

Superstructures

Material
See drawing

Weight
See drawing



Drawing available on request





Article

LOWER CATCH FOR DOOR

Code

A11.1.4.1

Group

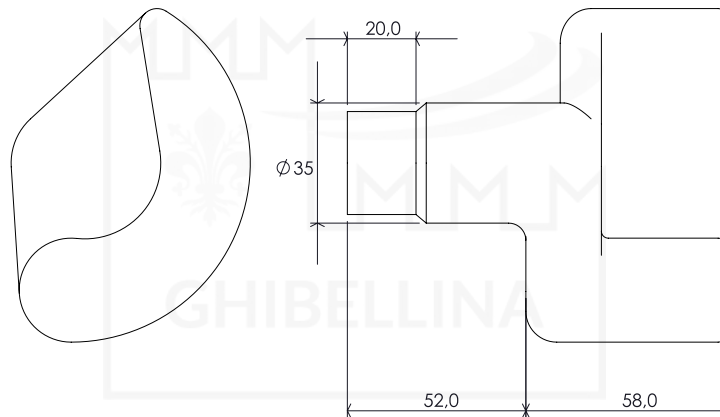
Superstructures

Material

See drawing

Weight

See drawing



Drawing available on request





Article

UPPER CATCH FOR DOOR

Code

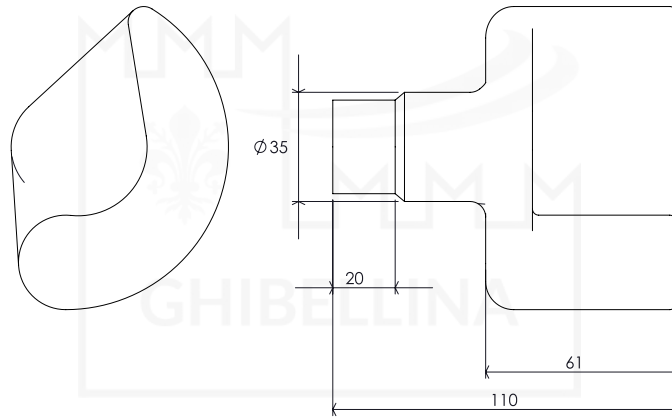
A11.1.4.2

Group

Superstructures

Material
See drawing

Weight
See drawing



Drawing available on request





Article

LOWER EYE-BOLT FOR DOOR

Code

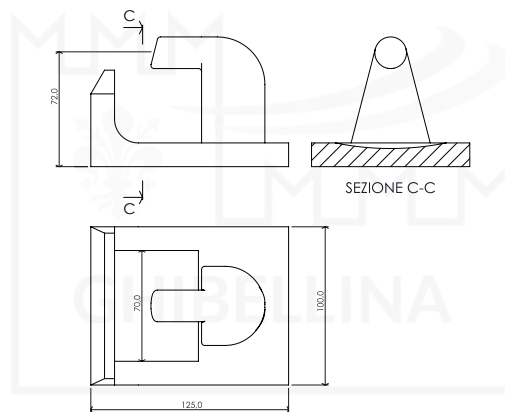
A11.1.4.3

Group

Superstructures

Material
See drawing

Weight
See drawing



Drawing available on request





Article

HALFCOUPLER HANGER

Code

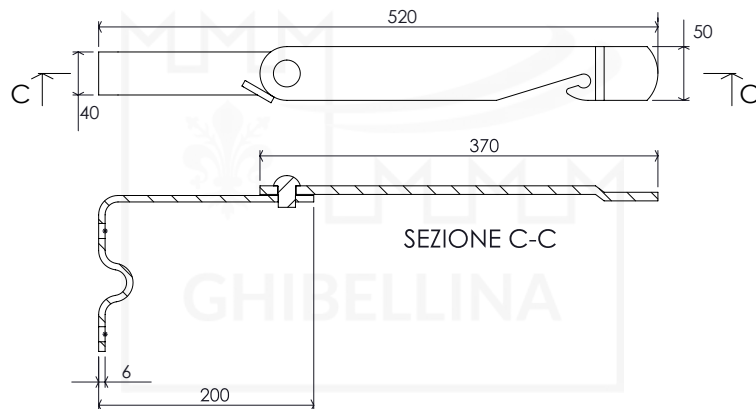
A11.2.1

Group

Superstructures

Material
S235JR

Weight
7 Kg



Drawing available on request





Article

DRAW HOOK GUIDANCE

Code

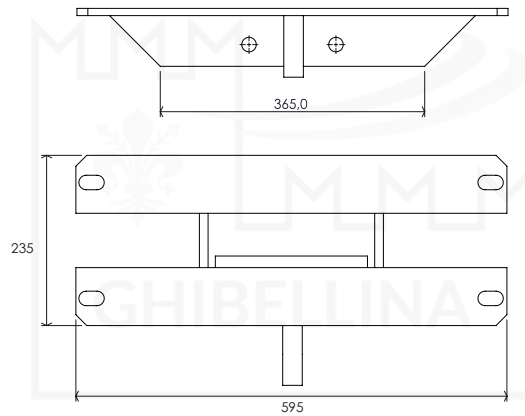
A11.2.2

Group

Superstructures

Material
S235JR

Weight
12 Kg



Drawing available on request





Article

FOLDING PIN BOX SEAT

Code

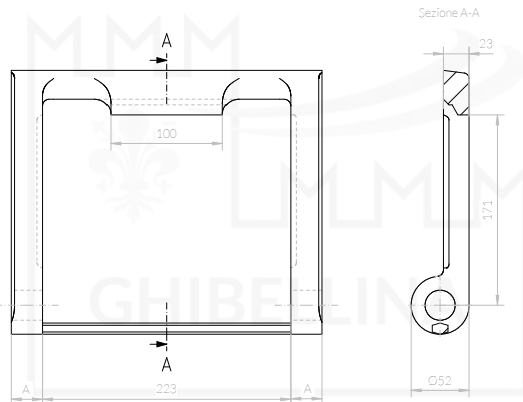
A11.3.2.1.*

Group

Superstructures

Material
GS 52

Weight
See table



Drawing available on request



ARTICLE

A

WEIGHT

A11.2.2.1.a

28 mm

3 kg

A11.2.2.1.b

20 mm

2.9 kg



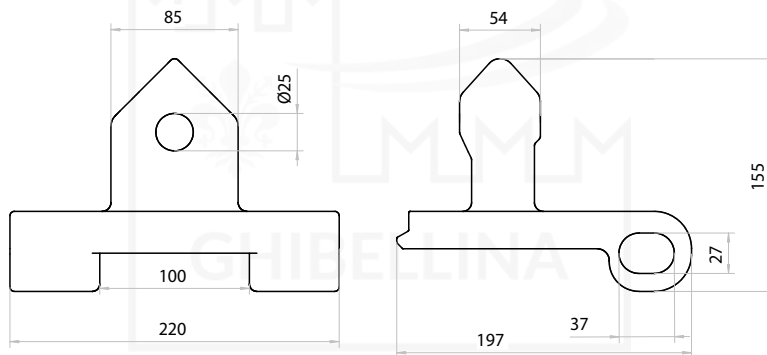
Article

FOLDING PIN BOX

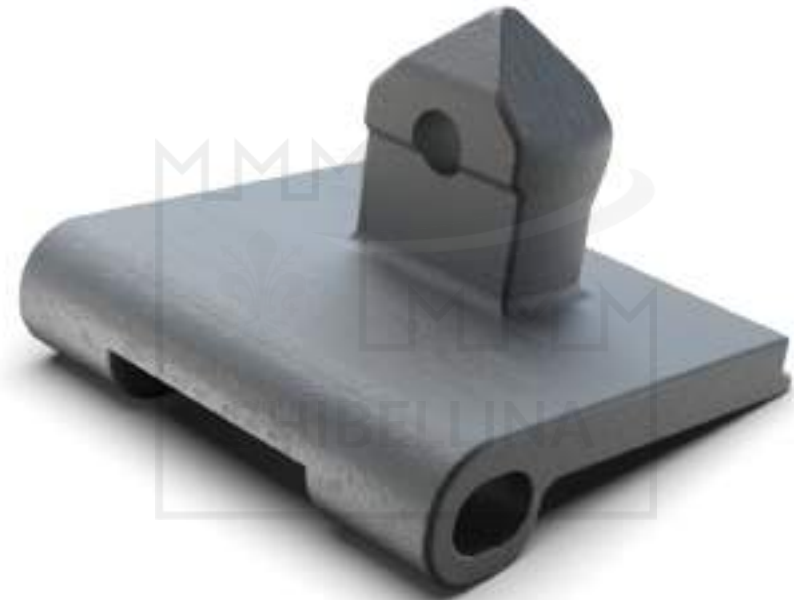
Code

A11.3.2.1.1

Group

SuperstructuresMaterial
GS52Weight
10 Kg

Drawing available on request





Article

PIN BOX

Code

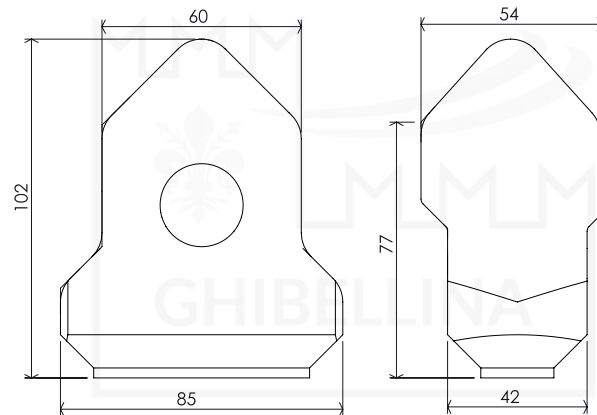
A11.3.2.2

Group

Superstructures

Material
GS52

Weight
1.9 Kg



Drawing available on request





Article

HANDLE

Code

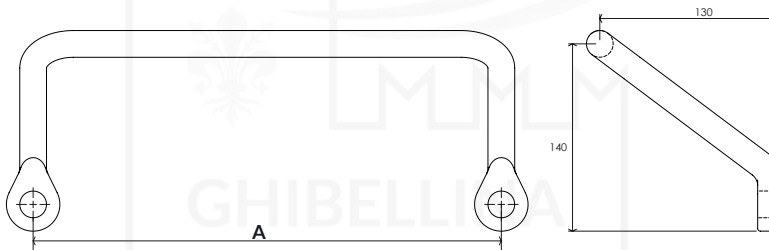
A11.2.3.*

Group

Superstructures

Material
See drawing

Weight
1 Kg



Drawing available on request



ARTICLE

A11.2.3.1

A11.2.3.2

A

330 mm

350 mm



Article

SHUNTER'S HANDRAIL

Code

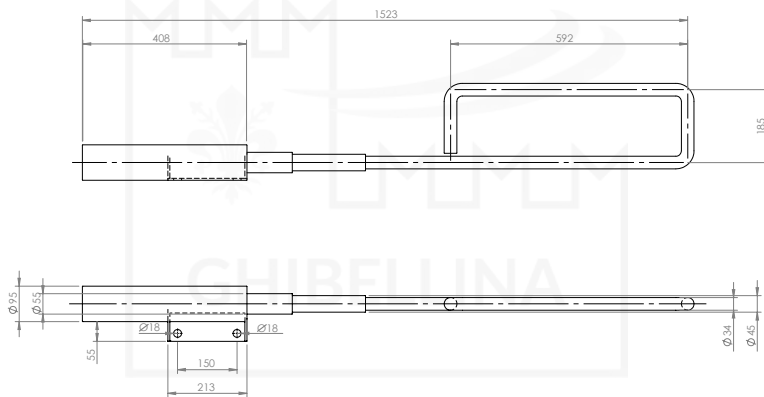
A11.2.4.1

Group

Superstructures

Material
Steel

Weight
23 Kg



Drawing available on request





Article

RUNNING BOARD

Code

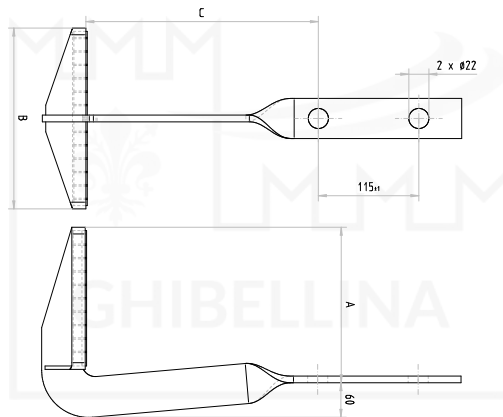
A11.2.5.*

Group

Superstructures

Material
See drawing

Weight
See table



Drawing available on request



ARTICLE

A

WEIGHT

A11.2.5.1

270 mm

7.5 kg

A11.2.5.2

350 mm

16.5 kg



Article

LATERAL TRACTION PLATE

Code

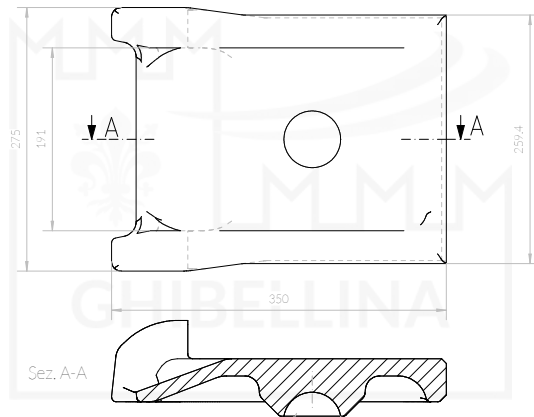
A11.4.1

Group

Superstructures

Material
See drawing

Weight
See drawing



Drawing available on request





Article

EARTHING CABLE

Code

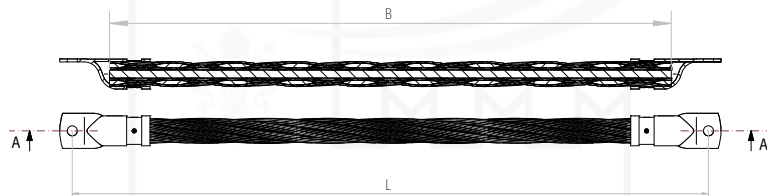
A11.4.2.*

Group

Superstructures

Material
See drawing

Weight
See drawing



Drawing available on request



ARTICLE

L

A

A11.4.2.1

350 mm

280 mm

A11.4.2.2

700 mm

630 mm



Article

CENTRAL FOOTPLATE FOR ARTICULATED WAGONS

Code

A11.5.1.1

Group

SuperstructuresMaterial
See drawingWeight
See drawing

Drawing available on request





Article

LEFT FOOTPLATE FOR ARTICULATED WAGONS

Code

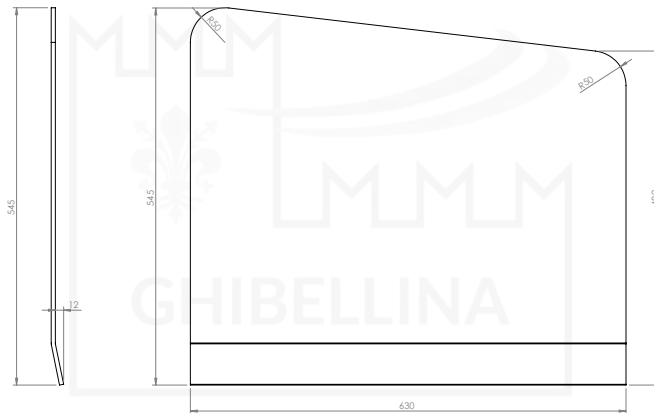
A11.5.1.2

Group

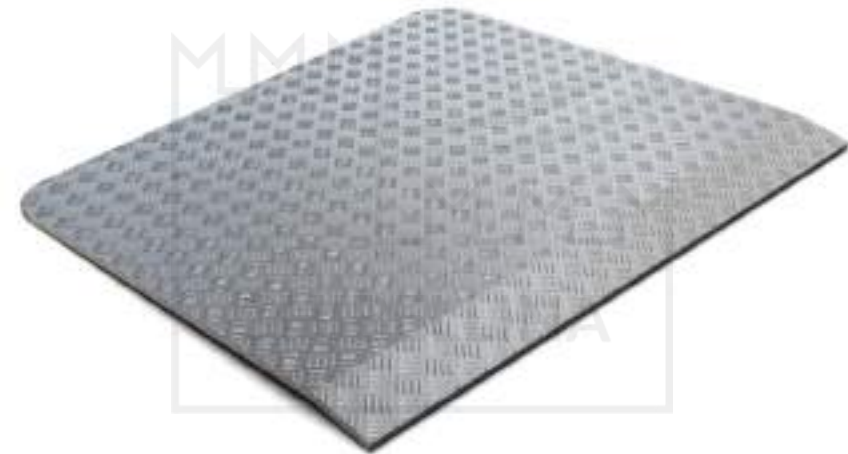
Superstructures

Material
See drawing

Weight
See drawing



Drawing available on request





Article

RIGHT FOOTPLATE FOR ARTICULATED WAGONS

Code

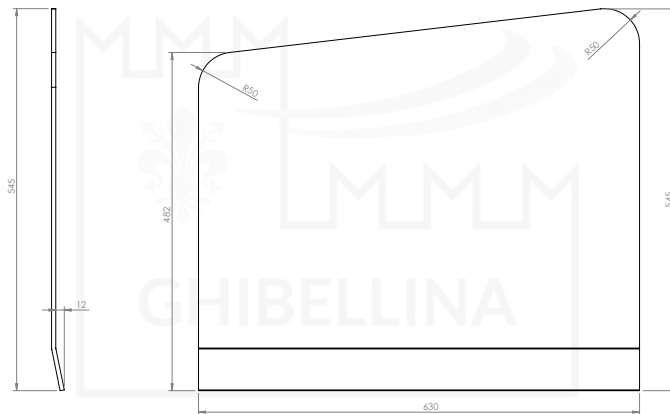
A11.5.1.3

Group

Superstructures

Material
See drawing

Weight
See drawing



Drawing available on request



SIGNALING

2024



Article

ACOUSTIC AIR SIGNALING M75/F

Code

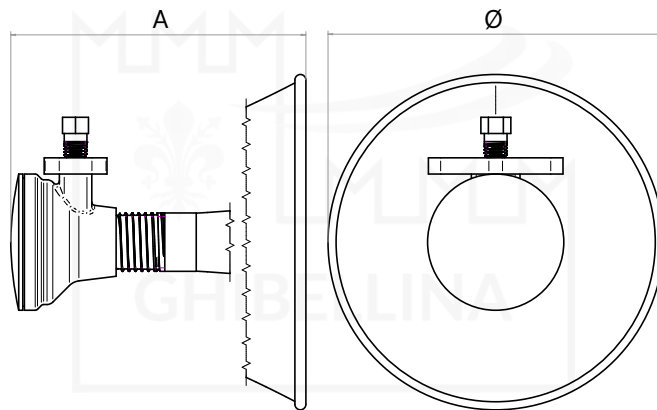
A12.1.*

Group

Signaling

Material
See drawing

Weight
See drawing



Drawing available on request



ARTICLE

FREQUENCY

WEIGHT

DIAMETER (Ø)

A

A12.1.1

370 Hz

1.75 kg

200 mm

417 mm

A12.1.2

600 Hz

1.45 kg

136 mm

204 mm

LIGHTING

2024



Article

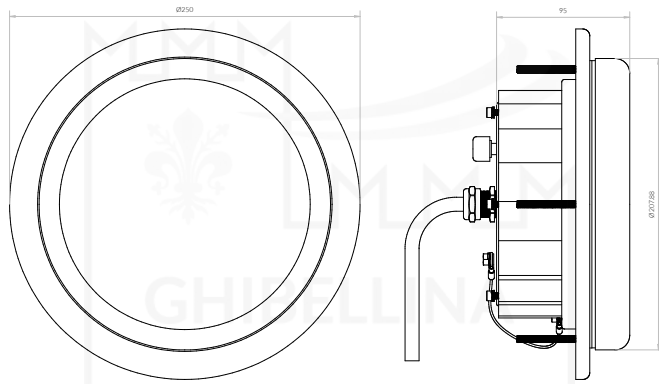
MULTIFUNCTIONAL HEADLIGHT 24V TSI

Code

A13.1.1

Group

Lighting



Drawing available on request



STANDARD

CEI EN 50155

CEI EN 50121-1

CEI EN 50121-3-2

CEI EN 61373

TI ST 306158 esp.01

EN 15153-1: 2020

CEI EN 60529

CEI EN 45545-2

FUNCTION

Headlight Full (100%) : dazzling light

Headlight Dimmed (40%) : low beam light

Marker Full (100%)

Marker Dimmed (28%)

Tail (100%)

FEATURES

Nominal supply voltage : 24 Vcc

Variation of supply voltage : 16 Vcc - 40 Vcc

Max power marker light full at 24 Vcc : ≤16Wat

Max power headlight full at 24 Vcc : ≤28Watt

Max power tail at 24 Vcc : ≤4Watt

Dielectric strenght : 500 Vca - 50 Hz

Insulation resistance (at 500 Vcc) : > 10 MΩ



Article

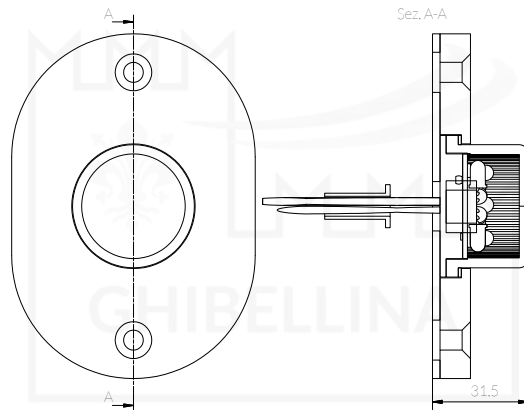
DOOR LOCKED MULTILED EXTERNAL LIGHT

Code

A13.2.1

Group

Lighting



Drawing available on request



STANDARD

CEI EN 50155

CEI EN 50121

EN 45545

DIN EN 151153

TI ST 306158

UNI CEI 11170

FEATURES

Nominal supply voltage : 24 Vcc

Variation of supply voltage : 16 Vcc - 36 Vcc

Performance : >90%

Light angle : 180°

Light Intensity \geq 18Vcc: 5 Cd

Current consumption at 28 Vcc : \leq 80 mA



Article

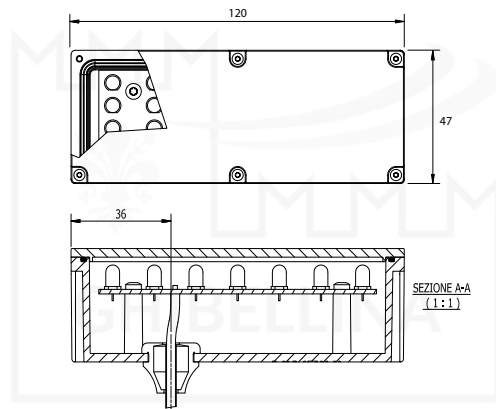
EXODUS LIGHT WITH HOUSING

Code

A13.3.1

Group

Lighting



Drawing available on request



STANDARD

EN 60529

UNI CEI 11170

UNI CEI EN 45014

CEI EN 62471

UNI EN 13272

ELECTRICAL FEATURES

Input voltage: 12÷48Vcc

Non-polarised power supply

PHOTOMETRIC FEATURES

Light flow: 150 Lumen

Natural white colour

Light angle: 120°



Article

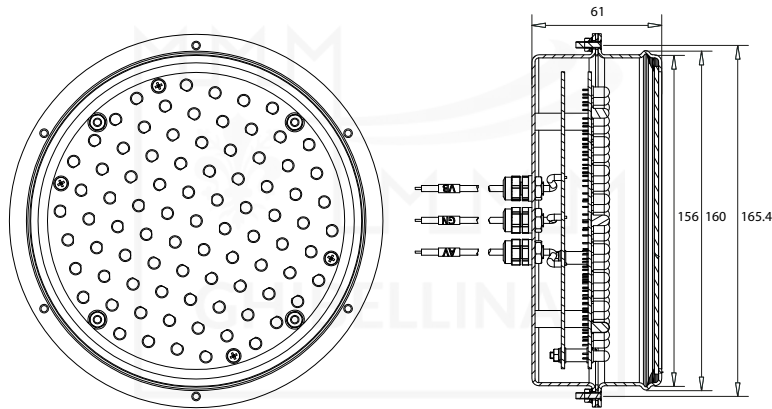
RED LED FIXED TAIL LIGHT

Code

A13.4.1

Group

Lighting



Drawing available on request



STANDARD

CEI EN 50121-3-2

CEI EN 50155

CEI EN 60529

CEI EN 61373

Spec. TI 306158

EN 15153-1

ELECTRICAL FEATURES

Nominal supply voltage (Un) : 24 Vcc

Maximum current consumption @24Vcc: < 190mA

Number of Led: 84 on 14 branches

Maximum consumption (within the 16÷36 VDC range) : < 7 W

PHOTOMETRIC FEATURES

Light Intensity along optical axis : 70 ÷ 100

Light Intensity ±7.5° horizontal optical axis : 12 ÷ 100

Light Intensity ±2.5° vertical optical axis : 12 ÷ 100



Article

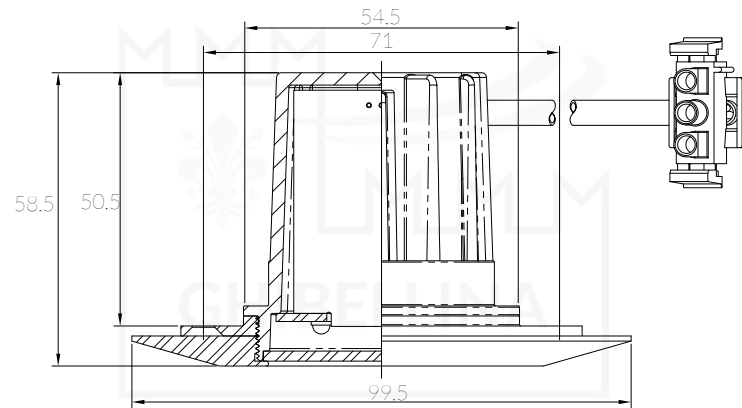
STANDARD LED SPOTLIGHT 4.000°K

Code

A13.5.1

Group

Lighting



Drawing available on request



STANDARD

CEI EN 50155

UNI EN 13272

CEI EN 60529

TI 385103

TI 385104

TI 376450

TI 385336

CEI EN 45545

ELECTRICAL FEATURES

Nominal supply voltage : 24 Vcc

Maximum current consumption at 24Vcc: 165 mA ± 16 mA

LED supply current (typical) : 135 mA

Variation of supply voltage : 18 Vcc ÷ 36 Vcc

FEATURES

Low power consumption

High service life

Very low heat emission



Article

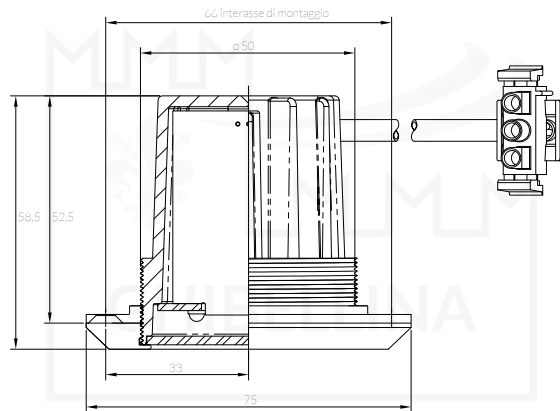
STANDARD LED SPOTLIGHT 3.000°K

Code

A13.5.2

Group

Lighting



Drawing available on request



STANDARD

 EN 13272

 EN 60529

 EN 61373

 EN 50155

 EN 45545

ELECTRICAL FEATURES

 Nominal supply voltage : 24 Vcc

 Variation of supply voltage : 16 Vcc - 36 Vcc

 Maximum current consumption at 24Vcc : (190 mA ± 20 mA)

 Performance of LED power drivers : ≥ 90%

FEATURES

 Low power consumption

 High service life

 Very low heat emission



Article

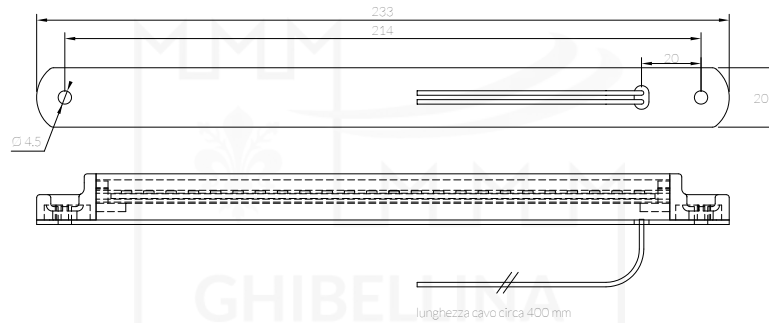
LED STRIP WITH HOUSING 5.000°K

Code

A13.6.1

Group

Lighting



Drawing available on request



STANDARD

CEI EN 50155

CEI EN 50121-1

CEI EN 50121-3-2

CEI EN 61373

TI ST 306158 esp.01

EN 15153-1: 2020

CEI EN 60529

CEI EN 45545-2

BRIGHTNESS

360 lumen

CENTRE DISTANCE

214 mm

ON-BOARD EQUIPMENT 2024



Article

WOODEN SHOE STOP WITH FLAG

Code

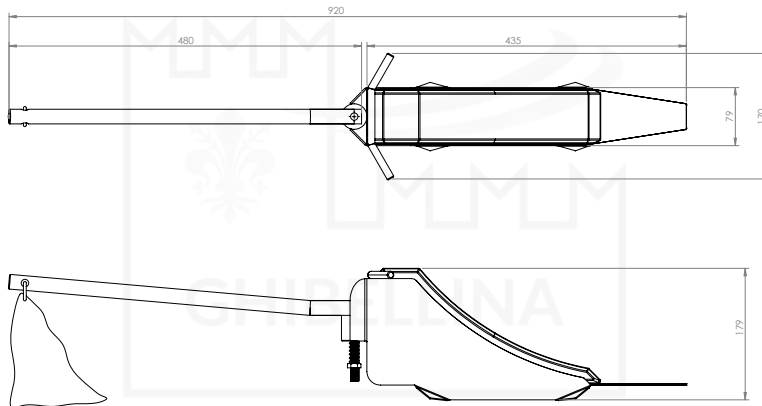
D1.8.1

Group

On-board equipment

Material
Wood, Steel

Weight
3 kg



Drawing available on request





Article

ALUMINIUM SHOE STOP

Code

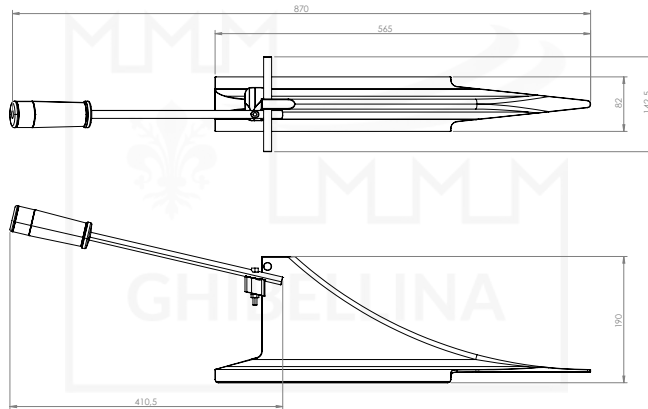
D1.8.2.1

Group

On-board equipment

Material
Aluminium

Weight
See drawing



Drawing available on request





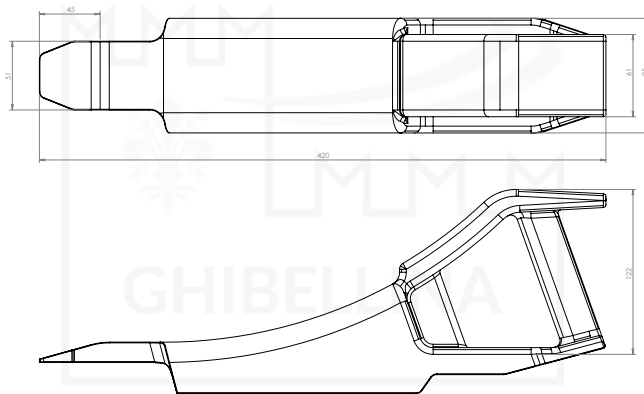
Article

SHOE STOP CAT. FS 050/012

Code

D1.8.3

Group

On-board equipmentMaterial
See drawingWeight
6,5 kg

Drawing available on request



CONTACTS

2024

Sales manager

Leonardo Sperduti Rampini

Mob: 0039 331 2608082

Mail: lsr@ghibellina.it

Sales manager

Corrado Sperduti Rampini

Mob: 0039 342 3543864

Mail: csr@ghibellina.it