



# **Railway Ventilated brake disc production**

---

Railway rolling stocks

---



Article

VENTILATED BRAKE DISC

Code

A6.0.1.1

[www.ghibellina.it](http://www.ghibellina.it)

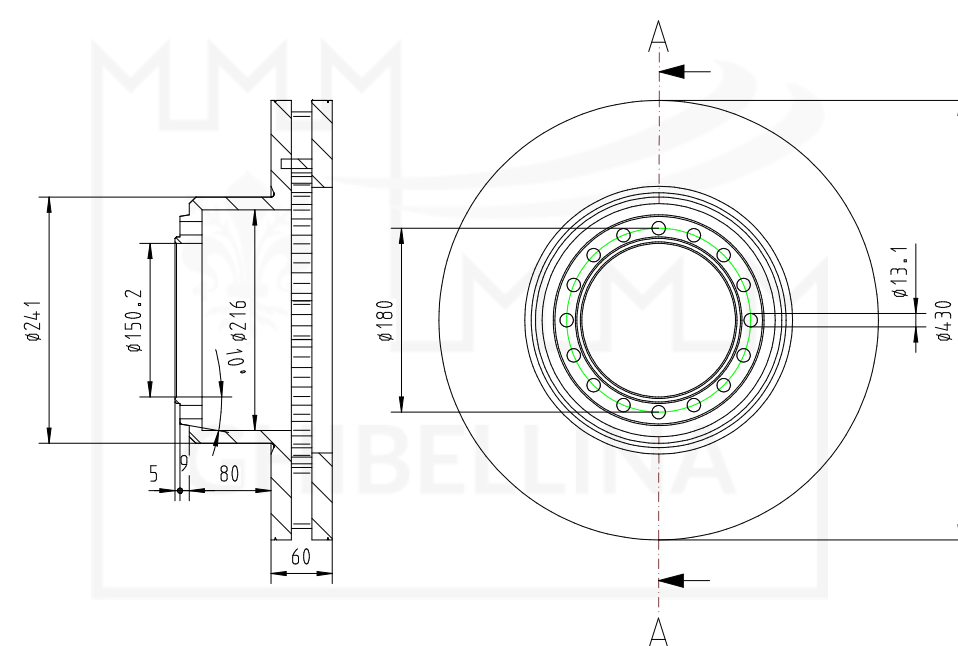
[www.ghibellina.it/en/](http://www.ghibellina.it/en/)

Group

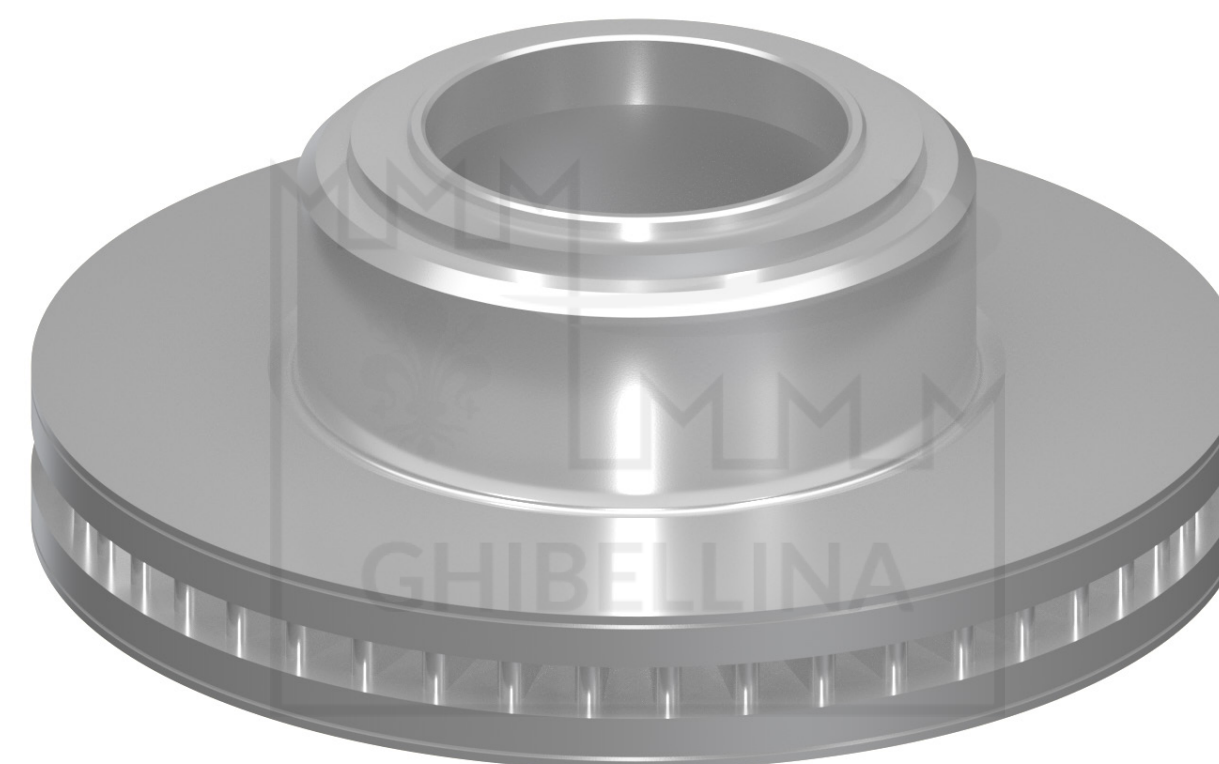
Brake rigging

Material  
See drawing

Weight  
37 kg



Drawing available on request

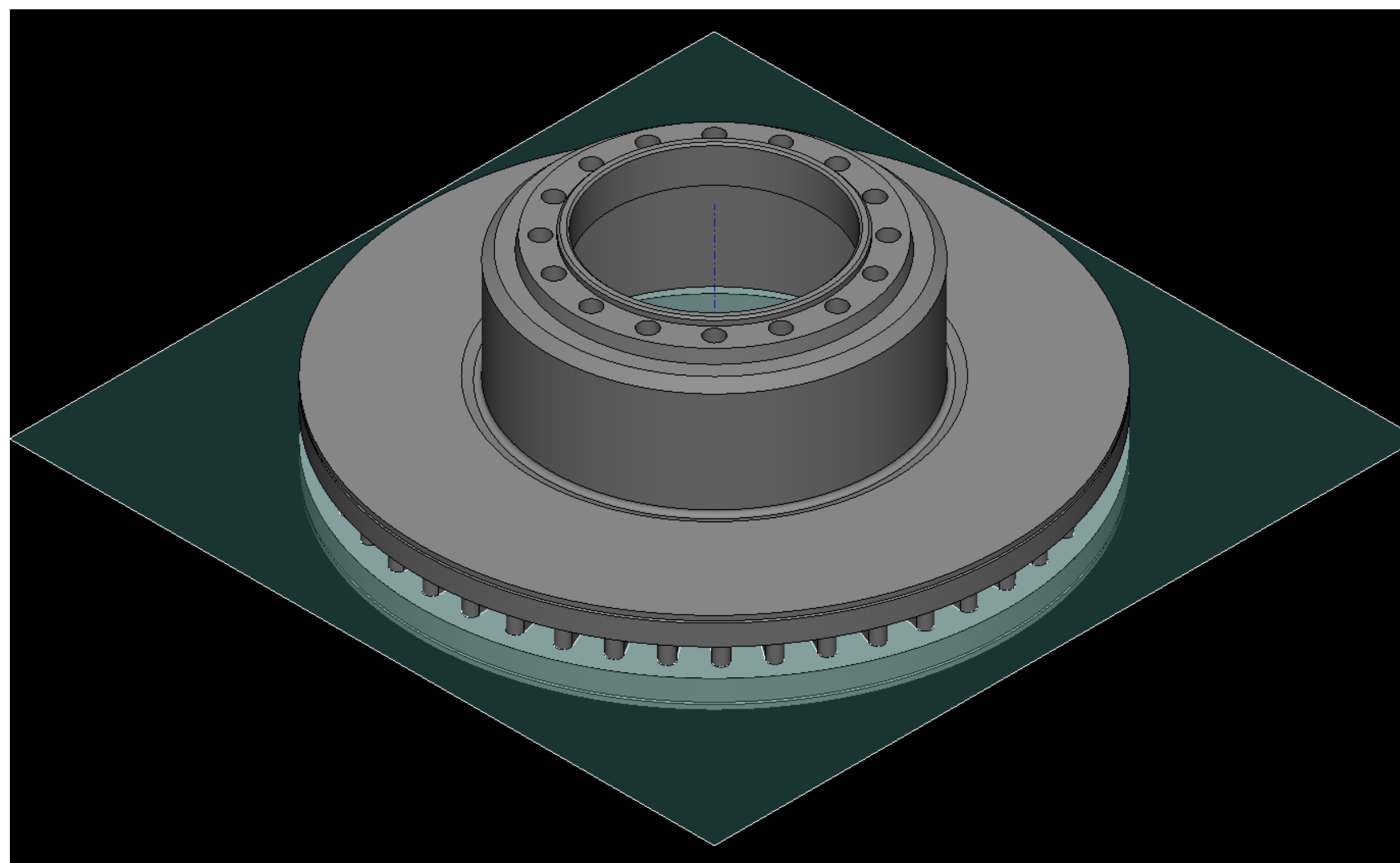




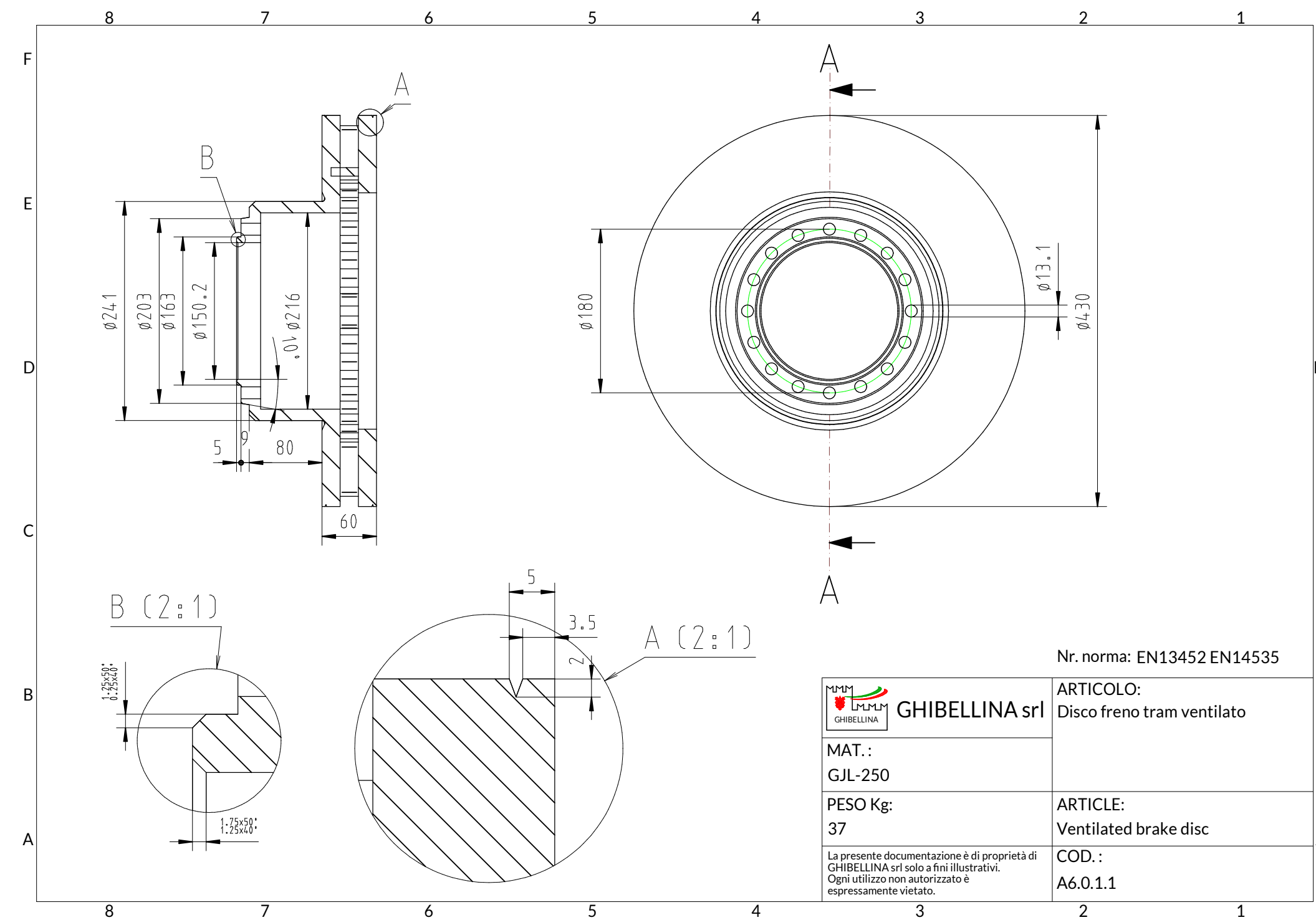
Involved **steps** in the production process:

1. Technical project
2. Production of technical and tools drawing
3. Render
4. Realization of production tools
5. Casting
6. Machining
7. Balancing
8. Packaging

# 1. Technical project



## 2. Production of technical and tools drawing





---

## **3. Rendering**



## 4. Realization of production tools

Master model



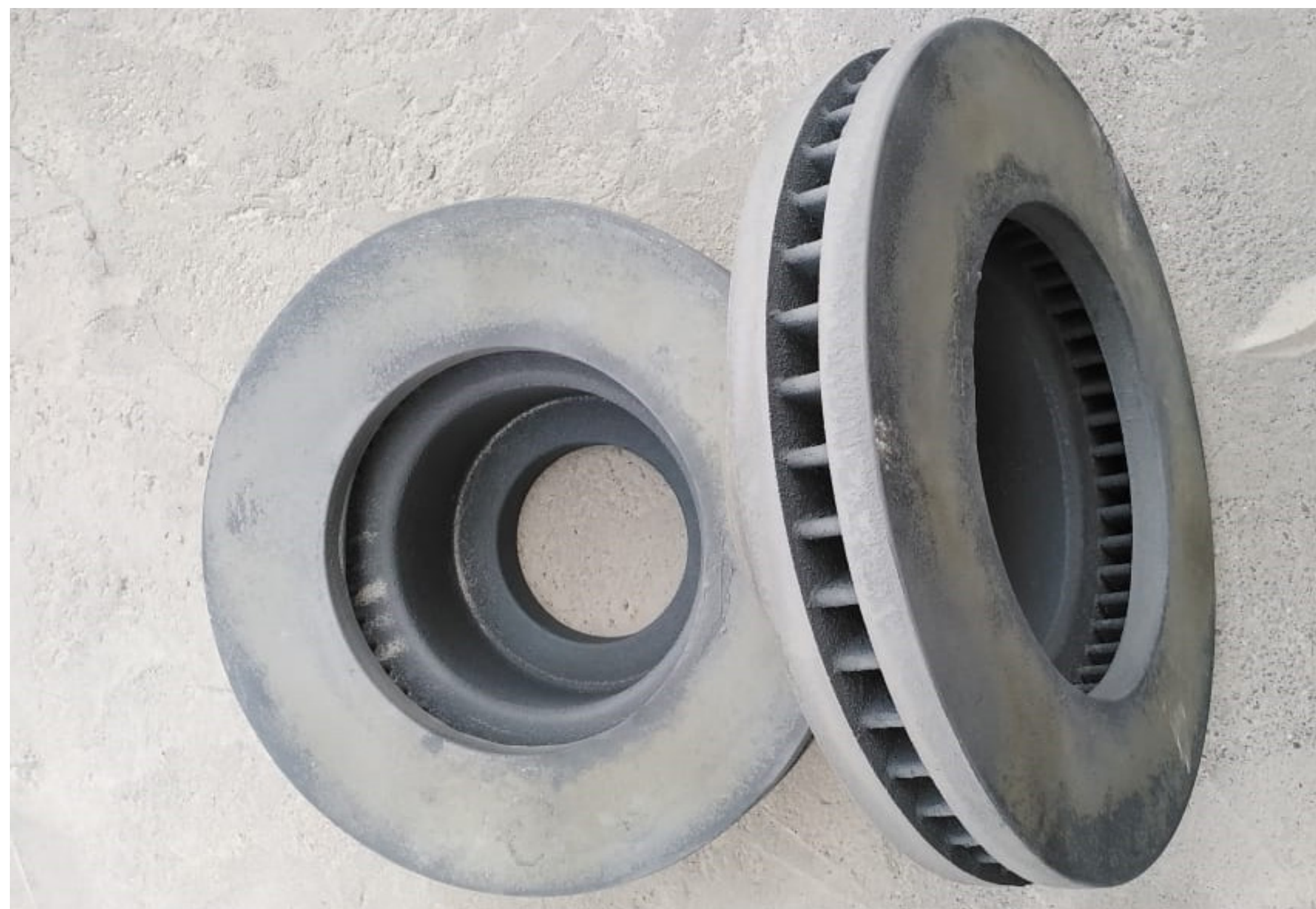
## 4. Realization of production tools

Casting tools

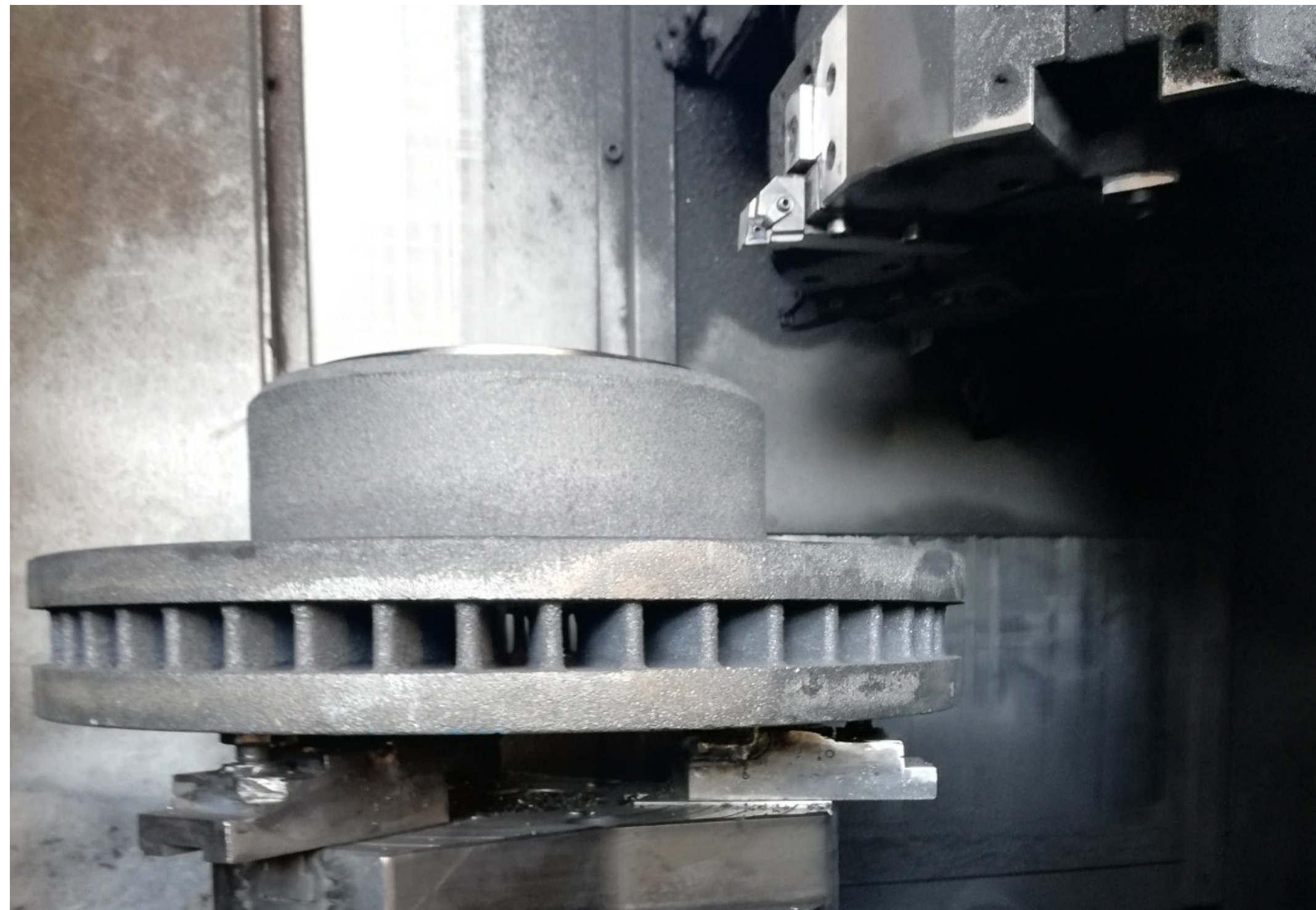




## 5. Casting



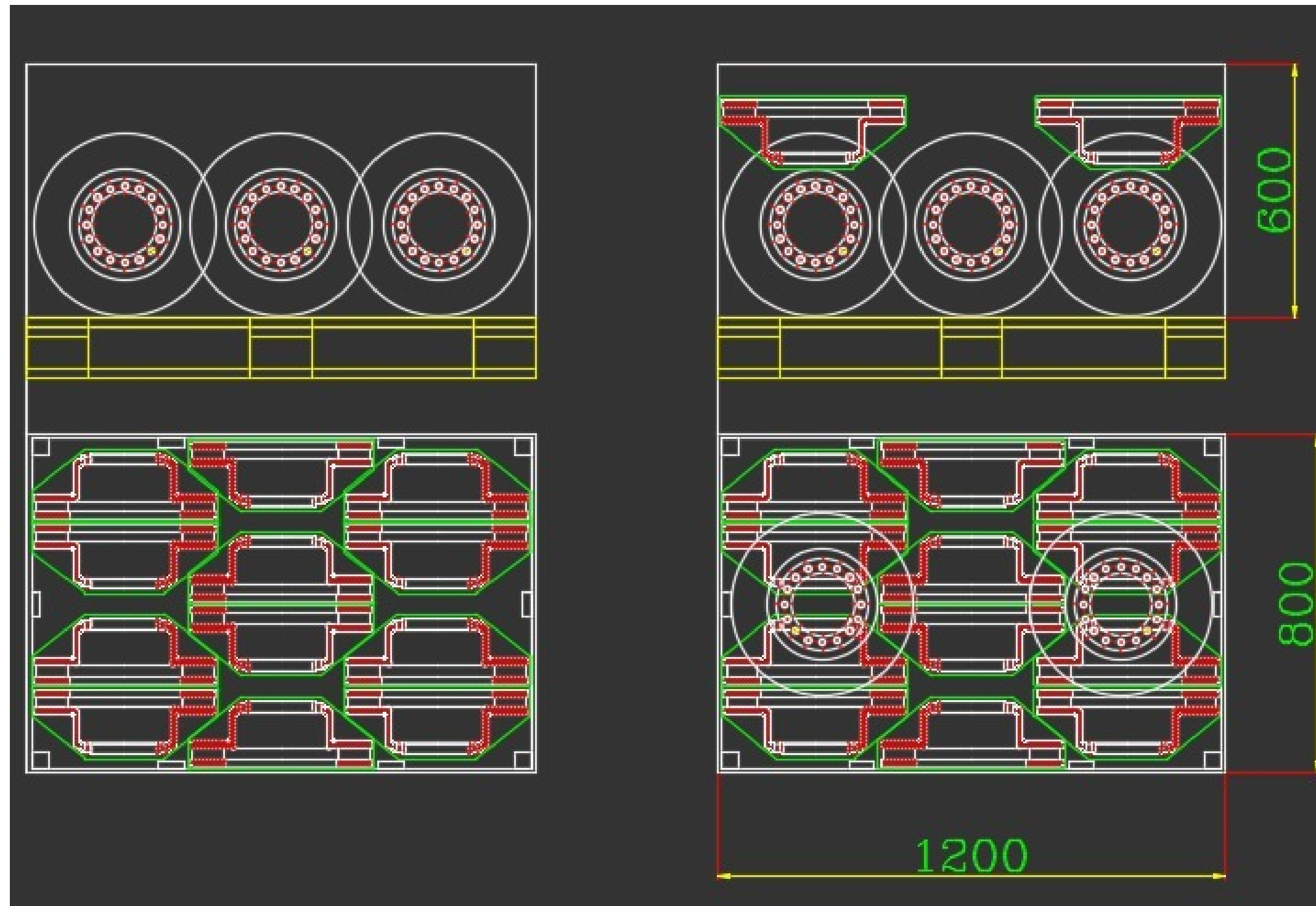
## 6. Machining



## 7. Balancing



## 8. Packaging





**Ghibellina Services**

**Railway Ventilated brake disc production**  
Railway rolling stocks

[www.ghibellina.it](http://www.ghibellina.it)

[www.ghibellina.it/en/](http://www.ghibellina.it/en/)

